







DC30



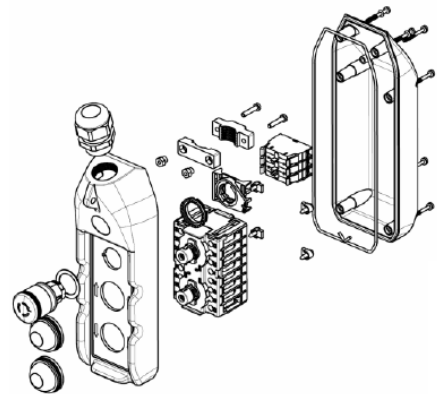
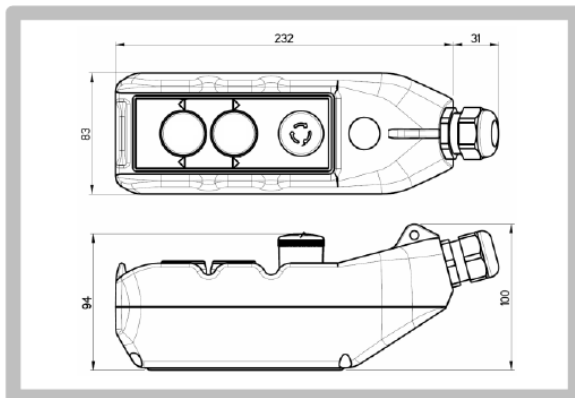
High power!

Pendant stations for high power hoist:

- direct motor control single phase and three phase
- Ith 25A - 1phase/2poles 230...400V 2.2kW
3phase/3poles 230...400V 4kW

 <p>SINGLE SPEED</p> <p>(*) Ith 25A EXTRA HIGH POWER CONTACTS BLOCK FOR DIRECT MOTOR CONTROL: 2.2kW 1ph / 4kW 3ph</p>	DC30	 <table border="1"> <tr> <td>3 NO</td> <td>3 NO</td> <td rowspan="2">(*)</td> </tr> <tr> <td>1 NC</td> <td>1 NC</td> </tr> </table>	3 NO	3 NO	(*)	1 NC	1 NC			
	3 NO	3 NO	(*)							
	1 NC	1 NC								
DC30.RG	 <table border="1"> <tr> <td>4 NO</td> <td>4 NO</td> <td>(*)</td> </tr> </table>	4 NO	4 NO	(*)						
4 NO	4 NO	(*)								
DC30.GE	 <table border="1"> <tr> <td>3 NO</td> <td>3 NO</td> <td rowspan="2">(*)</td> </tr> <tr> <td>1 NC</td> <td>1 NC</td> </tr> </table>	3 NO	3 NO	(*)	1 NC	1 NC				
3 NO	3 NO	(*)								
1 NC	1 NC									
 <p>TWO SPEED</p> <p>(*) Ith 25A EXTRA HIGH POWER CONTACTS BLOCK FOR DIRECT MOTOR CONTROL: 2.2kW 1ph / 4kW 3ph</p>	DC30D2	 <table border="1"> <tr> <td colspan="2">(*)</td> <td>2 NO</td> <td>2 NO</td> </tr> <tr> <td colspan="2"></td> <td>2 NC</td> <td>2 NC</td> </tr> </table>	(*)		2 NO	2 NO			2 NC	2 NC
(*)		2 NO	2 NO							
		2 NC	2 NC							

DC30



Pendant / Fixed Stations



General and Electrical data

Note: P02 – P03 – HP03 – PL line available in UL/CSA requirements

General characteristics		P02 – P03 – HP03 – PL – PLB – TLP								DC30	
In conformity to standards		IEC / EN60947-5-1								IEC / EN60947-3	
Material		P02	P03	HP03	PL	PLB	TLP			ABS	
		PP	ABS	ABS	ABS	ABS	PP				
Material group		II								II	
Pollution class		3								3	
Climate temperature	operating	-25°C + 70°C								-25°C + 70°C	
	storage	-30°C + 70°C								-30°C + 70°C	
Climate resistance	IEC68 part 2-3	hot damp								hot damp	
	IEC68 part 2-30	unsettled hot damp								unsettled hot damp	
Cable entry		<ul style="list-style-type: none"> P02 – P03: rubber cable sleeve Ø7...18mm PL – PLB: rubber cable sleeve Ø9...24mm HP03 – TLP: cable gland M20 								cable gland M25	
Electrical characteristics contact blocks		P02 – P03 – HP03 – PL – PLB – TLP								DC30	
Markings											
Rated insulation voltage [Ui]		690V								500V	
Rated thermal current [Ith]		16A								25A	
Rated impulse withstand voltage [Uimp]		4kV								4kV	
Frequency		50Hz – 50/60 Hz type PCW (HP03-TLP)								50Hz	
Rated operating current [Ie]											
AC-15 alternate current		(V)	24	60	110	240	400	440	500	690	
	type: PL004.. P02/P03/DC30 e-stop/PL/PLB	(A)	16	12	8	6	4	3.5	3	1	-
	type: PCW.. HP03-TLP	(A)	10	8	6	5	4	4	4	2	-
DC-13 direct current		(V)	24	48	60	110	220	250			
	type: PL004.. P02/P03/DC30 e-stop/PL/PLB	(A)	2	1.2	0.85	0.4	0.25	-		-	
	type: PCW.. HP03-TLP	(A)	2	2	1	0.4	-	0.4		-	
AC-3 alternate current	1phase-2poles 230V-400V	-								2.2kW	
	3phase-3poles 230V-400V	-								3kW	
Conditional short circuit withstand current		1000A								1000A	
Fuse rating		gG 10A - 500V								aM 12A - 500V	
Contact insulation resistance		≤ 25mΩ								-	
Switching mechanism	type: PL004.. P02/P03/DC30 e-stop/PL/PLB	slow break double gap contacts single pad								slow break double gap contacts single pad	
	type: PCW.. HP03-TLP	slow break double gap contacts three pads									
Positive operation		NC contact block								-	
Terminal type	type: PL004.. P02/P03/DC30 e-stop/PL/PLB	M3.5 screw								M3.5 screw	
	type: PCW.. HP03-TLP	spring cage terminal									
Terminal capacity	type: PL004.. P02/P03/DC30 e-stop/PL/PLB	No. 1 or 2 flexible and solid conductor min 1 max 2.5 mm ²								No. 1 or 2 flexible and solid conductor min 1 max 2.5 mm ²	
	type: PCW.. HP03-TLP	No. 1 or 2 flexible and solid conductor min 0.5 max 2.5 mm ²									
UL508 characteristics											
General use	600V ac	16A								-	
Designation code (HD) Heavy Duty		A600-Q600								-	