

# DC30



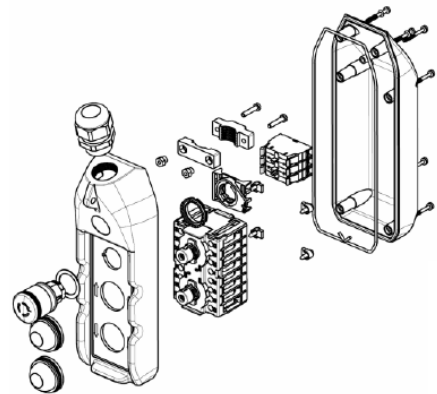
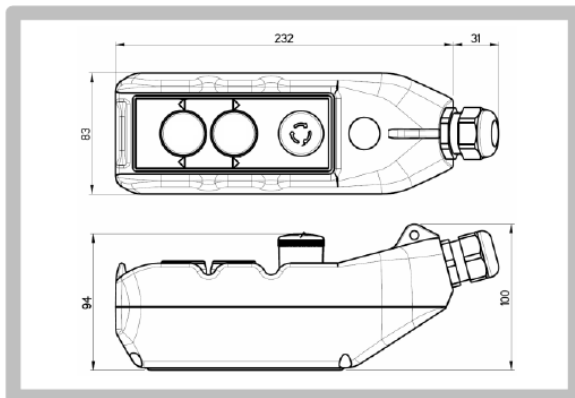
High power!

Pendant stations for high power hoist:

- direct motor control single phase and three phase
- Ith 25A - 1phase/2poles 230...400V 2.2kW  
3phase/3poles 230...400V 4kW

	<p>SINGLE SPEED</p> <p>(*) Ith 25A EXTRA HIGH POWER CONTACTS BLOCK FOR DIRECT MOTOR CONTROL: 2.2kW 1ph / 4kW 3ph</p>	<p><b>DC30</b></p>		<p>3 NO 3 NO (*) 1 NC 1 NC</p>
		<p><b>DC30.RG</b></p>		<p>4 NO 4 NO (*)</p>
		<p><b>DC30.GE</b></p>		<p>3 NO 3 NO (*) 1 NC 1 NC</p>
	<p>TWO SPEED</p> <p>(*) Ith 25A EXTRA HIGH POWER CONTACTS BLOCK FOR DIRECT MOTOR CONTROL: 2.2kW 1ph / 4kW 3ph</p>	<p><b>DC30D2</b></p>		<p>(*) 2 NO 2 NO 2 NC 2 NC</p>

# DC30



# Pendant / Fixed Stations



# General and Electrical data

Note: P02 – P03 – HP03 – PL line available in UL/CSA requirements

General characteristics		P02 – P03 – HP03 – PL – PLB – TLP								DC30	
In conformity to standards		IEC / EN60947-5-1								IEC / EN60947-3	
Material		P02	P03	HP03	PL	PLB	TLP			ABS	
		PP	ABS	ABS	ABS	ABS	PP				
Material group		II								II	
Pollution class		3								3	
Climate temperature	operating	-25°C + 70°C								-25°C + 70°C	
	storage	-30°C + 70°C								-30°C + 70°C	
Climate resistance	IEC68 part 2-3	hot damp								hot damp	
	IEC68 part 2-30	unsettled hot damp								unsettled hot damp	
Cable entry		<ul style="list-style-type: none"> <li>P02 – P03: rubber cable sleeve Ø7...18mm</li> <li>PL – PLB: rubber cable sleeve Ø9...24mm</li> <li>HP03 – TLP: cable gland M20</li> </ul>								cable gland M25	
Electrical characteristics contact blocks		P02 – P03 – HP03 – PL – PLB – TLP								DC30	
Markings											
Rated insulation voltage [Ui]		690V								500V	
Rated thermal current [Ith]		16A								25A	
Rated impulse withstand voltage [Uimp]		4kV								4kV	
Frequency		50Hz – 50/60 Hz type PCW (HP03-TLP)								50Hz	
Rated operating current [Ie]											
AC-15 alternate current		(V)	24	60	110	240	400	440	500	690	
	type: PL004.. P02/P03/DC30 e-stop/PL/PLB	(A)	16	12	8	6	4	3.5	3	1	-
	type: PCW.. HP03-TLP	(A)	10	8	6	5	4	4	4	2	-
DC-13 direct current		(V)	24	48	60	110	220	250			
	type: PL004.. P02/P03/DC30 e-stop/PL/PLB	(A)	2	1.2	0.85	0.4	0.25	-			-
	type: PCW.. HP03-TLP	(A)	2	2	1	0.4	-	0.4			-
AC-3 alternate current	1phase-2poles 230V-400V		-								2.2kW
	3phase-3poles 230V-400V		-								3kW
Conditional short circuit withstand current		1000A								1000A	
Fuse rating		gG 10A - 500V								aM 12A - 500V	
Contact insulation resistance		≤ 25mΩ								-	
Switching mechanism	type: PL004.. P02/P03/DC30 e-stop/PL/PLB	slow break double gap contacts single pad								slow break double gap contacts single pad	
	type: PCW.. HP03-TLP	slow break double gap contacts three pads									
Positive operation		NC contact block								-	
Terminal type	type: PL004.. P02/P03/DC30 e-stop/PL/PLB	M3.5 screw								M3.5 screw	
	type: PCW.. HP03-TLP	spring cage terminal									
Terminal capacity	type: PL004.. P02/P03/DC30 e-stop/PL/PLB	No. 1 or 2 flexible and solid conductor min 1 max 2.5 mm <sup>2</sup>								No. 1 or 2 flexible and solid conductor min 1 max 2.5 mm <sup>2</sup>	
	type: PCW.. HP03-TLP	No. 1 or 2 flexible and solid conductor min 0.5 max 2.5 mm <sup>2</sup>									
UL508 characteristics											
General use	600V ac	16A								-	
Designation code (HD) Heavy Duty		A600-Q600								-	