


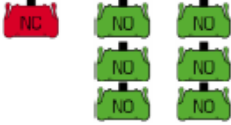
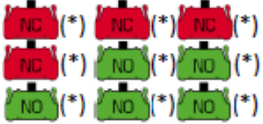

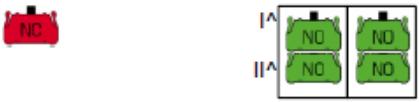


**P03**

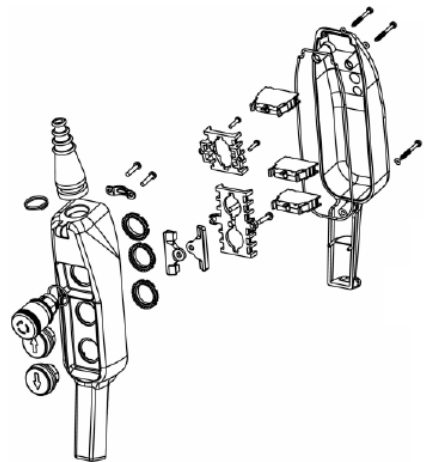
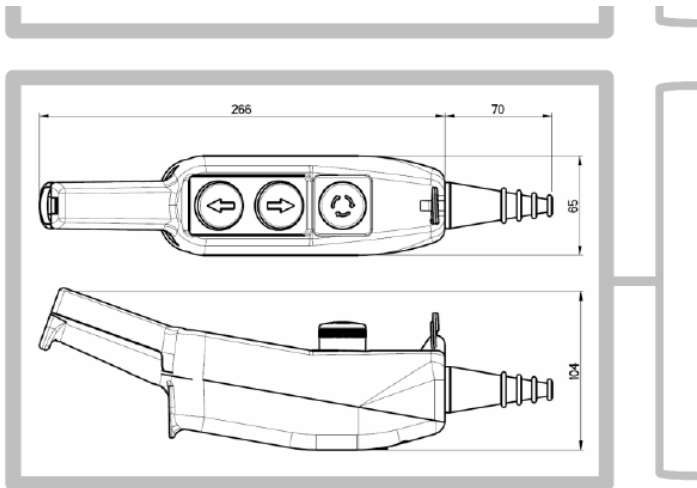


Three push button pendant stations for small hoist:

- single speed motor or two speed motor
- direct motor control 1kW – 1speed
- available in UL/CSA requirements

	SINGLE SPEED	<b>P03.1</b>	
		<b>P03.2</b>	
		<b>P03.3</b>	
	(*) HIGH POWER CONTACTS DIRECT MOTOR CONTROL 1Kw 1ph	<b>P03CD</b>	
	TWO SPEED	<b>P03D2</b>	

**P03**



# Pendant / Fixed Stations



# General and Electrical data

Note: P02 – P03 – HP03 – PL line available in UL/CSA requirements

General characteristics		P02 – P03 – HP03 – PL – PLB – TLP								DC30	
In conformity to standards		IEC / EN60947-5-1								IEC / EN60947-3	
Material		P02	P03	HP03	PL	PLB	TLP			ABS	
		PP	ABS	ABS	ABS	ABS	PP				
Material group		II								II	
Pollution class		3								3	
Climate temperature	operating	-25°C + 70°C								-25°C + 70°C	
	storage	-30°C + 70°C								-30°C + 70°C	
Climate resistance	IEC68 part 2-3	hot damp								hot damp	
	IEC68 part 2-30	unsettled hot damp								unsettled hot damp	
Cable entry		<ul style="list-style-type: none"> <li>P02 – P03: rubber cable sleeve Ø7...18mm</li> <li>PL – PLB: rubber cable sleeve Ø9...24mm</li> <li>HP03 – TLP: cable gland M20</li> </ul>								cable gland M25	
Electrical characteristics contact blocks		P02 – P03 – HP03 – PL – PLB – TLP								DC30	
Markings											
Rated insulation voltage [Ui]		690V								500V	
Rated thermal current [Ith]		16A								25A	
Rated impulse withstand voltage [Uimp]		4kV								4kV	
Frequency		50Hz – 50/60 Hz type PCW (HP03-TLP)								50Hz	
Rated operating current [Ie]											
AC-15 alternate current		(V)	24	60	110	240	400	440	500	690	
	type: PL004.. P02/P03/DC30 e-stop/PL/PLB	(A)	16	12	8	6	4	3.5	3	1	-
	type: PCW.. HP03-TLP	(A)	10	8	6	5	4	4	4	2	-
DC-13 direct current		(V)	24	48	60	110	220	250			
	type: PL004.. P02/P03/DC30 e-stop/PL/PLB	(A)	2	1.2	0.85	0.4	0.25	-			-
	type: PCW.. HP03-TLP	(A)	2	2	1	0.4	-	0.4			-
AC-3 alternate current	1phase-2poles 230V-400V	-								2.2kW	
	3phase-3poles 230V-400V	-								3kW	
Conditional short circuit withstand current		1000A								1000A	
Fuse rating		gG 10A - 500V								aM 12A - 500V	
Contact insulation resistance		≤ 25mΩ								-	
Switching mechanism	type: PL004.. P02/P03/DC30 e-stop/PL/PLB	slow break double gap contacts single pad								slow break double gap contacts single pad	
	type: PCW.. HP03-TLP	slow break double gap contacts three pads									
Positive operation		NC contact block								-	
Terminal type	type: PL004.. P02/P03/DC30 e-stop/PL/PLB	M3.5 screw								M3.5 screw	
	type: PCW.. HP03-TLP	spring cage terminal									
Terminal capacity	type: PL004.. P02/P03/DC30 e-stop/PL/PLB	No. 1 or 2 flexible and solid conductor min 1 max 2.5 mm <sup>2</sup>								No. 1 or 2 flexible and solid conductor min 1 max 2.5 mm <sup>2</sup>	
	type: PCW.. HP03-TLP	No. 1 or 2 flexible and solid conductor min 0.5 max 2.5 mm <sup>2</sup>									
UL508 characteristics											
General use	600V ac		16A					-			
Designation code (HD) Heavy Duty			A600-Q600					-			