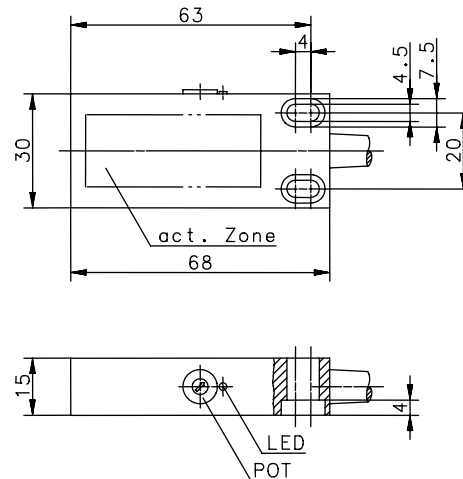
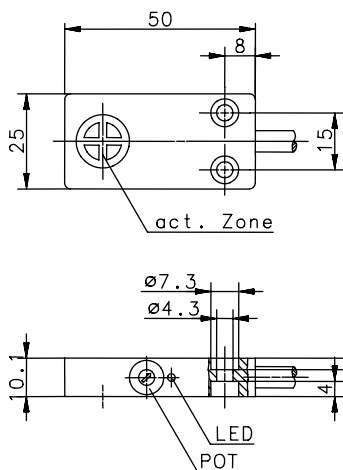


# Technical Data

## Capacitive Proximity Switch

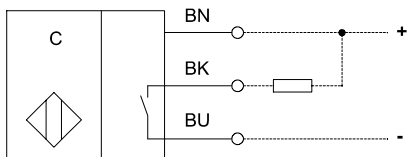
### Series E50 and E68 flush - DC



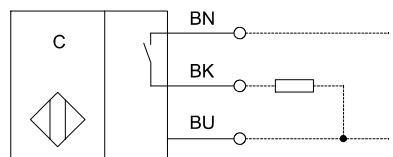
Mounting: flush	Type E50 Enclosure: Thermoplastic		Type E68 Enclosure: Thermoplastic	
	2m cable			
Sn	8mm	10mm		
Sr	2-8mm	3-10mm		
Output	N.O.	N.C.	N.O.	N.C.
NPN	6507390001		6507356001	
PNP	6507990001		6507956001	

### Wiring Diagram NPN and PNP N.O.

NPN



PNP



This document will not become the contractual basis; the details included herein do not constitute any descriptions of expected conditions, so that warranties/claims for defects on account of possible variations of the actual qualities from the qualities described herein are explicitly excluded. All rights reserved. Specifications subject to change without notice!

# Technical Data

## Capacitive Proximity Switch

### Technical Data according to EN 60947-5-2

Electrical data		
Rated operating distance	$S_n$	See overview
Mounting		flush
Standard target		E50 = 25x20x1mm; E68 = 57x30x1mm; material: steel; connected to earth
Effective operating distance	$S_r$	See overview Adjustable with potentiometer (POT) Turn right $\triangle$ high sensitivity, turn left $\triangle$ low sensitivity
Assured operating distance	$S_a$	$0 \leq S_a \leq 0,8 \cdot S_r$
Switching element function		See overview
Repeat accuracy	R	$\leq 0,1 \cdot S_r$
Differential travel (hysteresis)	H	$\leq 0,2 \cdot S_r$
Frequency of operating cycles	f	$\approx 25\text{Hz}$
Rated operational voltage	$U_e$	12 – 24V DC
Operational voltage range	$U_B$	10 – 36V DC
Rated insulation voltage	$U_i$	75V DC
Rated impulse withstand voltage	$U_{imp}$	500V
Voltage drop	$U_d$	$\leq 1,5\text{V DC}$
Utilization category		DC-13 (Switching element)
Rated operational current	$I_e$	$\leq 200\text{mA DC}$
Minimum operational current	$I_m$	$\geq 1\text{mA DC}$
Off-state current	$I_r$	$\leq 0,5\text{mA DC}$
No-load supply current	$I_o$	$\leq 15\text{mA DC}$
Switching element		Permanent overload and s.c.p.
Short-circuit protection		Pulsed
Rated conditional short-circuit current		100A
Rated supply frequency		DC
False polarity protection		With permutation of +, -, output no damage occurs
Time delay before availability	$t_v$	$\leq 5\text{ms}$

Electromagnetic compatibility (EMC)		
Electromagnetic field test	IEC 61000-4-3	3V/m, 80...1000MHz
Electrostatic discharge test	IEC 61000-4-2	8kV AD
Electrical fast transient immunity test (Burst)	IEC 61000-4-4	1kV/ coupling clamp
Impulse voltage withstandability (Surge)	IEC 61000-4-5	500V, 1,2/50 $\mu$ s bei $R_i = 42\Omega$
Radiated disturbance field strength	EN 55011	$\leq 40\text{dB } (\mu\text{V/m})$

Mechanical Data	
Enclosure	PBT black
Ambient air temperature	-25°C ... 70°C
Type of protection	IP65 (NEMA 12)
Pollution degree	3 (Pollution of the active zone can cause Impairments of the operating distances.)
Indication	Power ON: LED = yellow
Termination type	E50 = Cable 3 x 0,34mm <sup>2</sup> x 2m; PVC-Outer jacket, black E68 = Cable 3 x 0,5mm <sup>2</sup> x 2m; PVC-Outer jacket, black

### EU Conformity

This document will not become the contractual basis; the details included herein do not constitute any descriptions of expected conditions, so that warranties/claims for defects on account of possible variations of the actual qualities from the qualities described herein are explicitly excluded. All rights reserved. Specifications subject to change without notice!