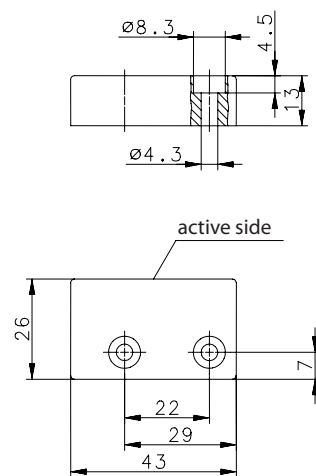


Magnetic Switch

Coded switching magnet

Description **TK-52-CD/2 TÜV**

Article number **6402052311**



Mechanical data

Enclosure	PBT black (encapsulated magnets)
Magnet	Hard ferrite
Ambient air temperature	-20 °C ... +80 °C
Application	Magnetic limit switch type MAx-5236-x
Installation position	operator definable
Pollution degree	3 according to EN 60947-1