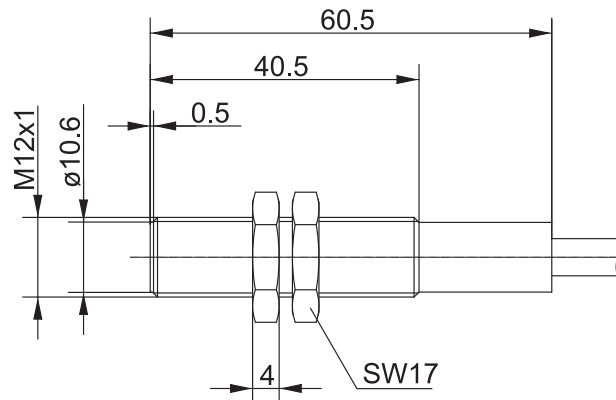
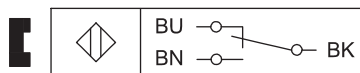


Magnetic Switch Series MA-18

Description **MAM-1813-L-2**

Article number **6316318584**

Wiring diagram



Identifying characteristics in accordance with EN 60947-5-1 and EN 62246-1

Electrical Data		
Assured operating distance	S_a	12 mm
Switching element function		change over
Reed contact	max. switching voltage	250 V
	max. switching current	1 A
	max. switching capacity	60 VA
	min. switching capacity	3 VA
	mechanical lifetime	3×10^8 switchings
Repeat accuracy	R	$\pm 0,1$ mm, under same geometrical conditions at the same temperature
Max. Release point		30 mm
Shock		10 g (11 ms, ½ Sinevawe)
Vibration		15 g (50 - 2000 Hz)
Corresponding magnet		T-62 N/S

Mechanical data	
Enclosure	CuZn39Pb3; encapsulated reed contact
Front cap	PA 6.6, black
Ambient air temperature	-5 °C ... +70 °C
Type of protection	IP 67 acc. to EN 60529
Termination type	cable 3 x 0,5 mm ² x 2 m; PVC-Outer jacket, black
Assembly position	optional (assembly on iron means reduction of switch distance)
For attachment	2 x hexagon nut; brass, nickel plated

EU Conformity

acc. to directive 2014/35/EU (Low-Voltage-Directive)