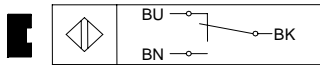
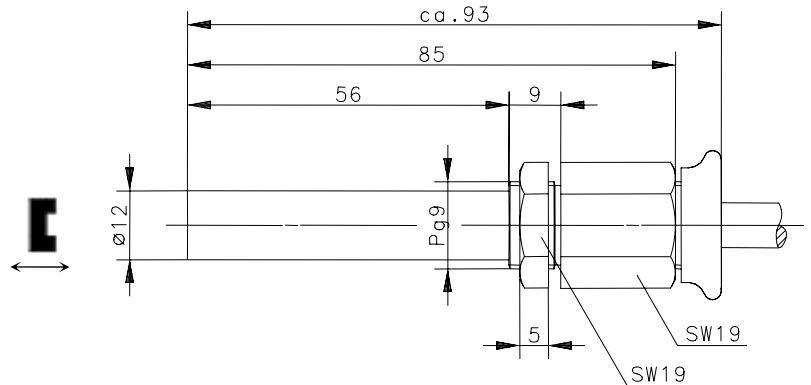
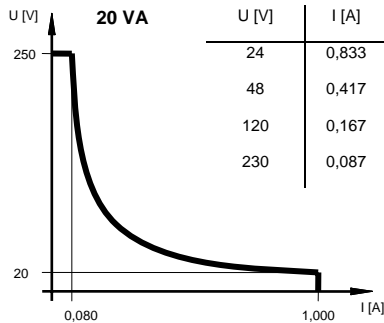


Series MAK-15

Wiring diagram



Switching diagram



Cable length	Description	Article number
1m	MAK-1513-LEX-1	6316315308
3m	MAK-1513-LEX-3	6316315001
7m	MAK-1513-LEX-7	6316315344
10m	MAK-1513-LEX-10	6316315654

Electrical data

Assured operating distance	S _a	10mm
Output		changeover function
Reed contact:		
max. voltage		250 V AC/DC
max. switch current		1A
max. switching		20VA
min. switching		3 VA
mechanical lifetime		3x10 ⁸ switchings, however, according to the load resetability
Repeat accuracy	R	± 0,1mm
Differential travel	H	max. 20mm
Shock		10 g (11ms, 1/2 sinus-wave)
Vibration		15 g (50-2000Hz)
Reference magnet		T-62 N/S

Mechanical data

Housing	PA6
Ambient air temperature	+5°C ... +60°C (when the cable can be moved) -20°C ... +60°C (when the cable can not be moved)
Type of protection	IP67 to IEC 529, EN 60529
Connection	PVC-cable 3 x 0,75mm ² (A05VV-F)
Assembly position	optional
Fixing accessories	hex nut PG9, POM

EC conformity

CE 0044

Approvals

KEMA (Ex) II 2 GD EEx m II T6 T85°C / KEMA 03ATEX1399 X

This document will not become the contractual basis; the details included herein do not constitute any descriptions of expected conditions, so that warranties/claims for defects on account of possible variations of the actual from the here described condition are excluded. Subject to modifications and amendments.

Date of issue: 29.10.2008 / Page 1 of 1
Document: 7100050000_en.doc / Last update: 7 / 0424-08