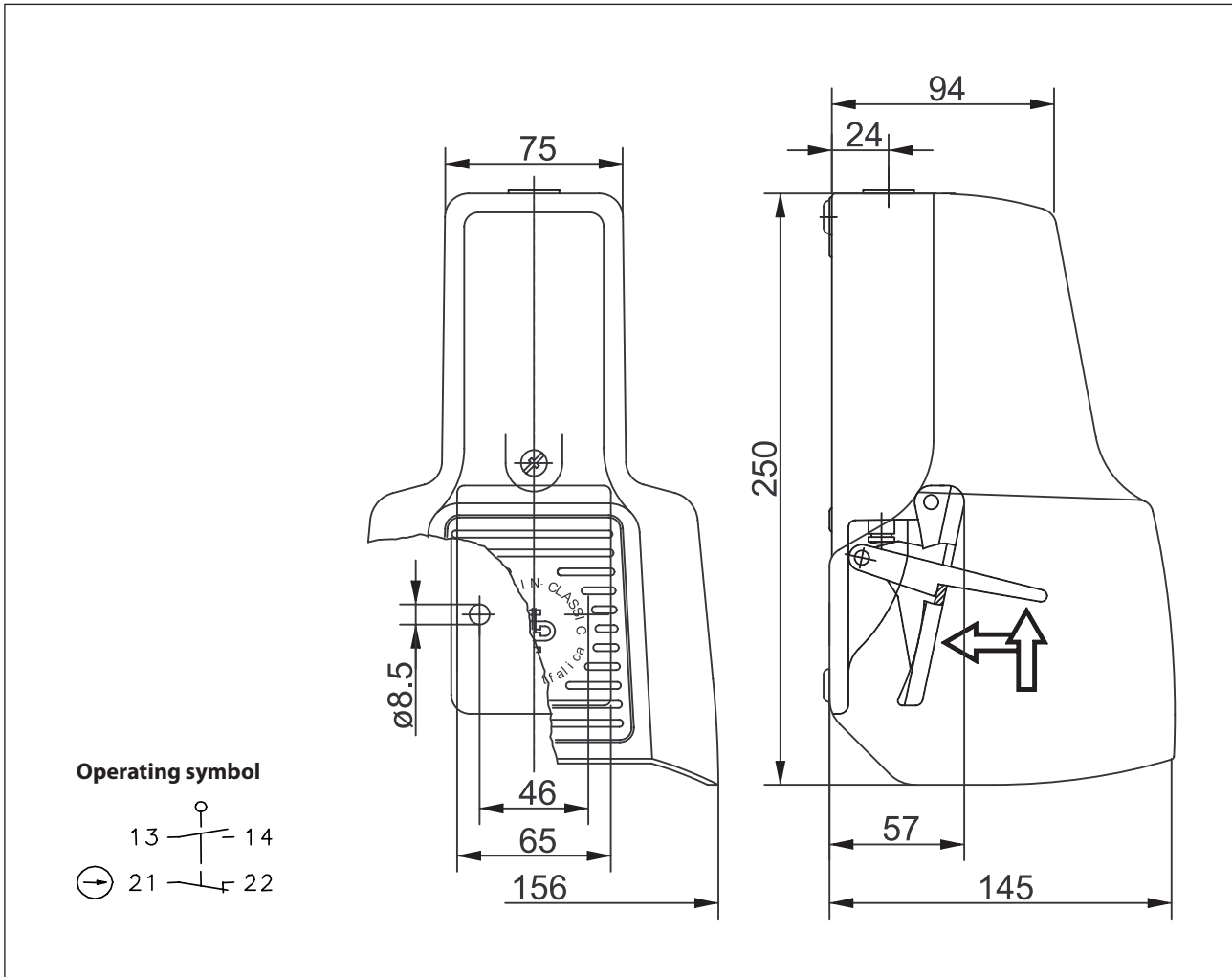


**Foot-switch**  
Series F1

Description **F1-SU1Z AT UN**

Article number **6161800482**



Electrical data		
Rated insulation voltage	$U_i$	400 V AC
Conv. thermal current	$I_{the}$	10 A
Rated operational voltage	$U_e$	240 V
Utilization category		AC-15, $U_e$ 240 V / $I_e$ 3 A, $U_i$ 400 V
Direct opening action	$\ominus$	acc. to IEC/EN 60947-5-1, Annex K (pedal stop)
Short-circuit protective device		Fuse 2 A gG
Protection class		I

<b>Mechanical Data</b>	
Enclosure	AL, die-cast
Protective guard (Accident protection cover UN)	AL, die-cast
Actuator	Foot lever (PA), locking lever (Lexan)
Ambient air temperature	-30 °C ... +80 °C
Contact type	1 N.C. / 1 N.O. (Zb)
Operating force	≈ 10 N (pedal centre)
Mechanical life	10 x 10 <sup>6</sup> switching cycles
Switching frequency	≤ 50/min
Assembly	2 x M8
Connection	Screw connections (M3,5)
Number of connections	4
Protection ground	2 x M4
Conductor cross-sections	Solid: 0,5 ... 1,5 mm <sup>2</sup> Litz wire with ferrules: 0,5 ... 1,5 mm <sup>2</sup>
Cable entry size	1 x M20 x 1,5
Weight including protective guard	≈ 1,4 kg
Protection type	IP 65 acc. to IEC/EN 60529

<b>ID for safety engineering</b>	
B10d	20 x 10 <sup>6</sup> switching cycles

<b>Standards</b>	
	VDE 0660 T100, DIN EN 60947-1, IEC 60947-1
	VDE 0660 T200, DIN EN 60947-5-1, IEC 60947-5-1
	DIN EN ISO 13849-1/2

<b>EU Conformity</b>	
	acc. to directive 2006/95/EC

<b>Notes</b>	
The specified protection classification (IP code) applies only when the cover is closed and the appropriate cable is used, in accordance with the clamping range of the above mentioned cable gland.	