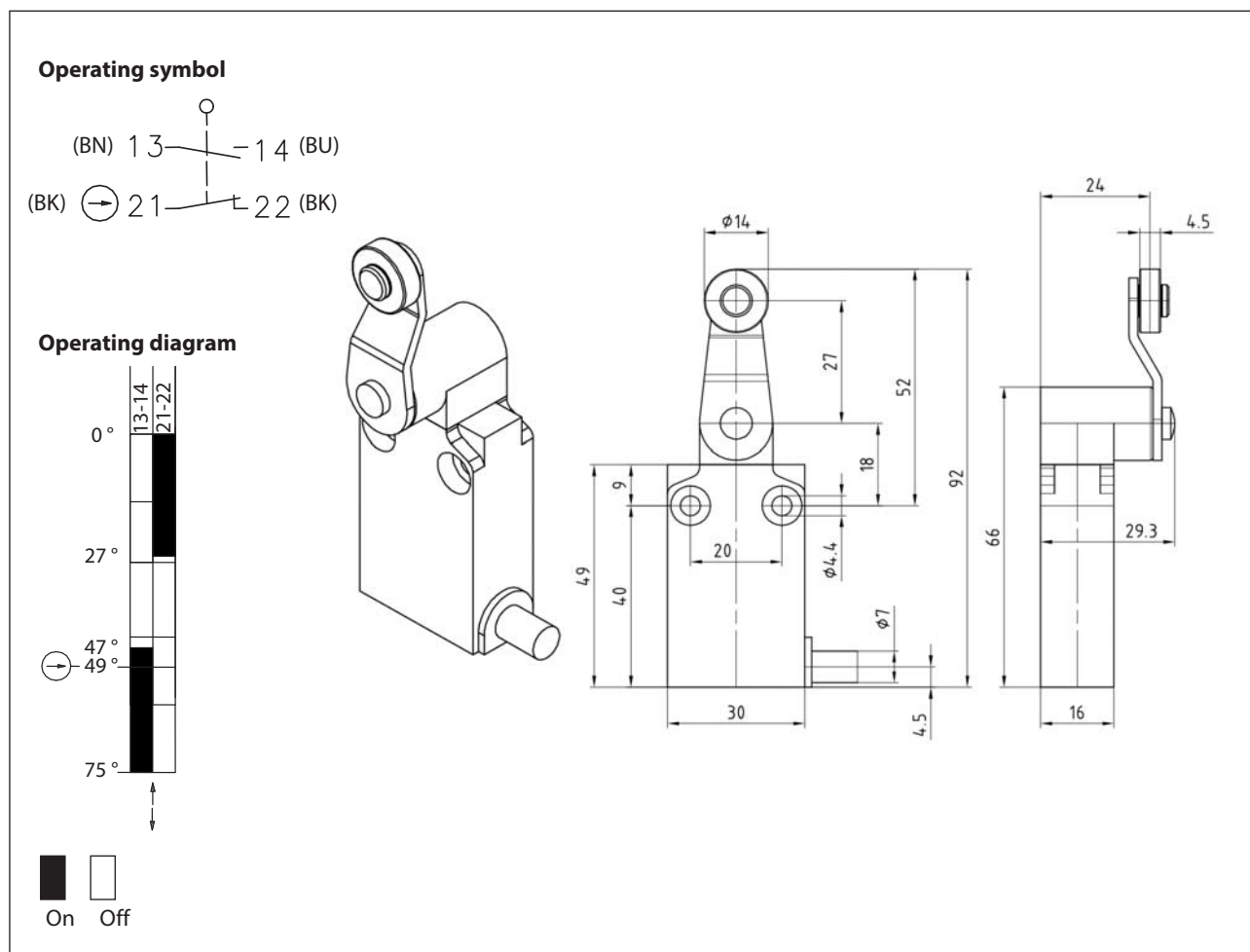


Plastic bodied limit switch Series I49

Description **I49-U1Z AH**

Article number **6089135057**



Electrical Data

Rated insulation voltage acc. to IEC 947-1 and EN 60-947-1 acc.to UL 508 and CSA C22-2 n° 14	U_i 400 V (degree of pollution 3) B300, R300
Conv. thermal current acc. to IEC 947-5-1 and EN 60947-5-1) 0 < 40 °C	I_{the} 10 A
Rated operational voltage	U_e 240 V
Utilization category	AC-15, 24 V - 10 A / 240 V - 3 A DC-13, 24 V - 2.8 A / 125 V - 0.22 A / 250 V - 0.27 A
Direct opening action	\rightarrow acc. to IEC/EN 60947-5-1
Short-circuit protective device $U_e < 500$ V a.c. - gG type fuses	Fuse 10 A gG
Protection class	II, totally insulated

Mechanical data	
Enclosure	Pre-wired, Double insulation, Plastic Casing IP67, 30 mm width
Actuator	Ø14 mm nylon roller lever
Ambient air temperature	-during operation -25 °C ... +70 °C -for storage -40 °C ... +70 °C
Contact type	non overlapping slow action contacts, 1 NO, 1 NC
Mechanical life	10 x 10 ⁶ switching cycles
Switching frequency	60 / min
Velocity for actuating	1,5 m/s
Resistance between contacts	< 25 mΩ
Connection	PVC 4 x 0,75 mm ² UL cable, 1m length
Installation position	All positions are authorized
Protection type	IP67 acc. to IEC/EN 60529; Type 1 enclosure ("indoor use only") acc. to UL50

Standards	
	IEC 947-1
	DIN EN 60947-5-1

EU Conformity	
	acc. to directive 2006/95/EC

Approvals	
	cUL _{US}