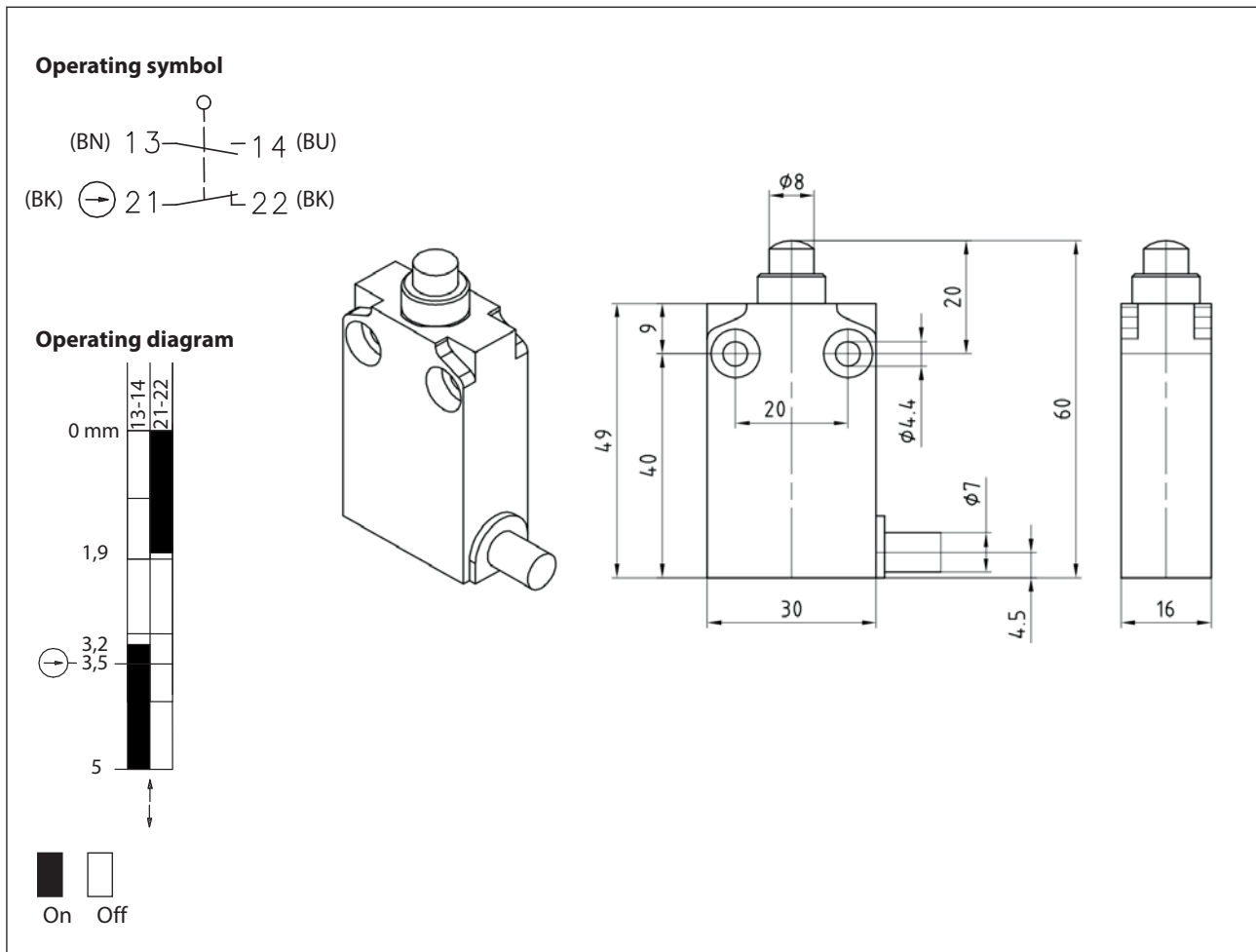


**Plastic bodied limit switch**  
Series I49

Description **I49-U1Z IW**

Article number **6089102049**



**Electrical Data**

|   |   |
|---|---|
| Rated insulation voltage<br>acc. to DIN EN 60947-1<br>acc.to UL 508 and CSA C22-2 n° 14 | $U_i$ 400 V (degree of pollution 3)<br>B300, R300   |
| Conv. thermal current<br>acc. to DIN EN 60947-5-1) 0 < 40 °C                            | $I_{the}$ 10 A  |
| Rated operational voltage   | $U_e$ 240 V   |
| Utilization category  | AC-15, 24 V - 10 A / 240 V - 3 A<br>DC-13, 24 V - 2.8 A / 125 V - 0.22 A / 250 V - 0.27 A |
| Direct opening action   | $\rightarrow$ acc. to IEC/EN 60947-5-1  |
| Short-circuit protective device<br>$U_e < 500$ V a.c. - gG type fuses                   | Fuse 10 A gG  |
| Protection class  | II, totally insulated   |

| Mechanical data             |  |
|-----------------------------|--|
| Enclosure                   | Pre-wired, Double insulation, Plastic Casing IP67, 30 mm width (polymeric) |
| Actuator                    | Plunger (nikel-plated)   |
| Ambient air temperature     | -during operation -25 °C ... +70 °C<br>-for storage -40 °C ... +70 °C      |
| Contact type                | non overlapping slow action contacts, 1 NO, 1 NC                           |
| Mechanical life             | 10 x 10 <sup>6</sup> switching cycles                                      |
| Switching frequency         | 60 / min   |
| Velocity for actuating      | 0,5 m/s  |
| Resistance between contacts | < 25 mΩ  |
| Connection                  | PVC 4 x 0,75 mm <sup>2</sup> UL cable, 1m length                           |
| Installation position       | All positions are authorized   |
| Protection type             | IP67 acc. to IEC/EN 60529  |

| Standards |                  |
|-----------|------------------|
|           | DIN EN 60947-1   |
|           | DIN EN 60947-5-1 |

| EU Conformity |                              |
|---------------|------------------------------|
|               | acc. to directive 2006/95/EC |

| Approvals |                   |
|-----------|-------------------|
|           | cUL <sub>US</sub> |

| Notes |   |
|-------|---|
|       | Type 1 enclosure ("indoor use only") acc. to UL50 |