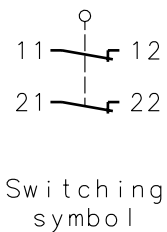
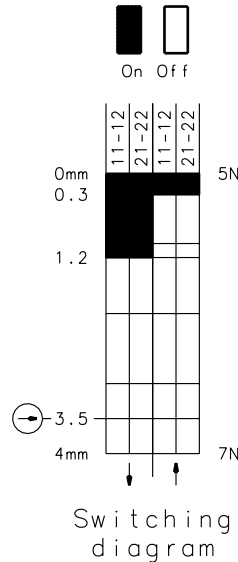
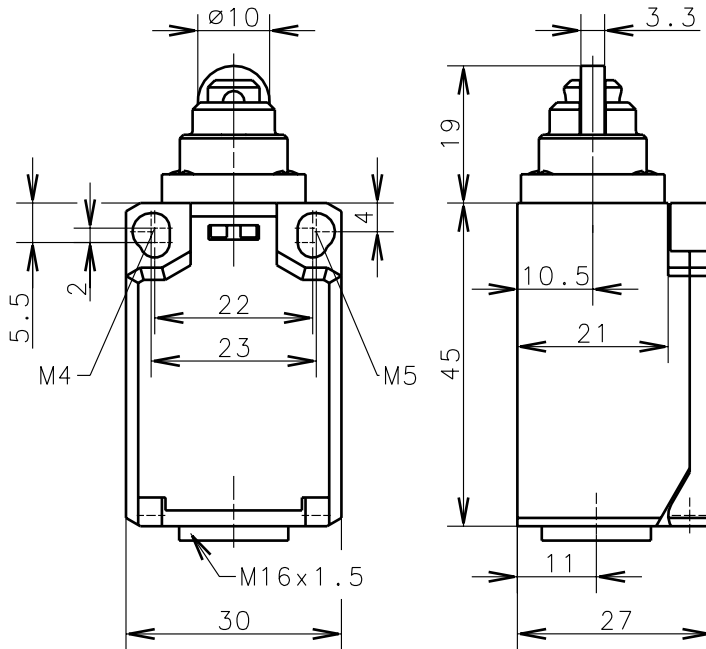


**Bernstein**Bernstein AG
Postfach 1164
D-32437 Porta Westfalica**Technical data sheet****Ti2-SA2Z Ri w****608.8867.010**Positive opening
operation according
to DIN EN 60947-5-1
IEC 60947-5-1Tolerance: operating point $\pm 0.25\text{mm}$; actuating force $\pm 10\%$ **Mechanical features**Enclosure: PBT, glass fibre reinforced
Cover: PA6.6, black
Actuator: Roller (Thermoplast)Ambient air temperature: -30°C up to $+80^\circ\text{C}$
Contact type: 2 NC-contacts (Zb)Mechanical life: 3×10^6 switch operations
Switch frequency: max. 100/min
Mounting: 2xM4 or 2xM5 fixed positioning for safety applications
Connection type: 4 screw connections (M3.5)
Conductor cross-section: single core $0.5\text{-}1.5\text{mm}^2$ / litz wire with connector sleeve $0.5\text{-}1.5\text{mm}^2$
Cable entry size: 1 x M16x1.5
Weight: approx. 0,04kg**Electrical features**Rated insulation voltage: $U_i = 250\text{ V AC}$
Conventional thermal current: $I_{the} = 10\text{ A}$
Max. inrush current: according to IEC 60947-5-1
Utilization categorie: AC 15, A300 240V/3A, 120V/6A / DC 13, Q300 250V/0.27A, 125V/0.55A
Standards: according to EN 60947-1; EN 60947-5-1
Protection class (IP-Code): IP65 according to EN 60529; DIN VDE 0470 T1
CSA/UL: 10A 300V, A300
Short circuit protection: Fuse 6A gL/gG, IEC/EN 60947-5-1, appendix K**Approach possibilities**

Actuator not re-arrangeble.

RemarksThe moving parts should be oiled periodically.
The rated protection class (IP-Code) is valid only at closed cover and when using an at equivalent cable gland.