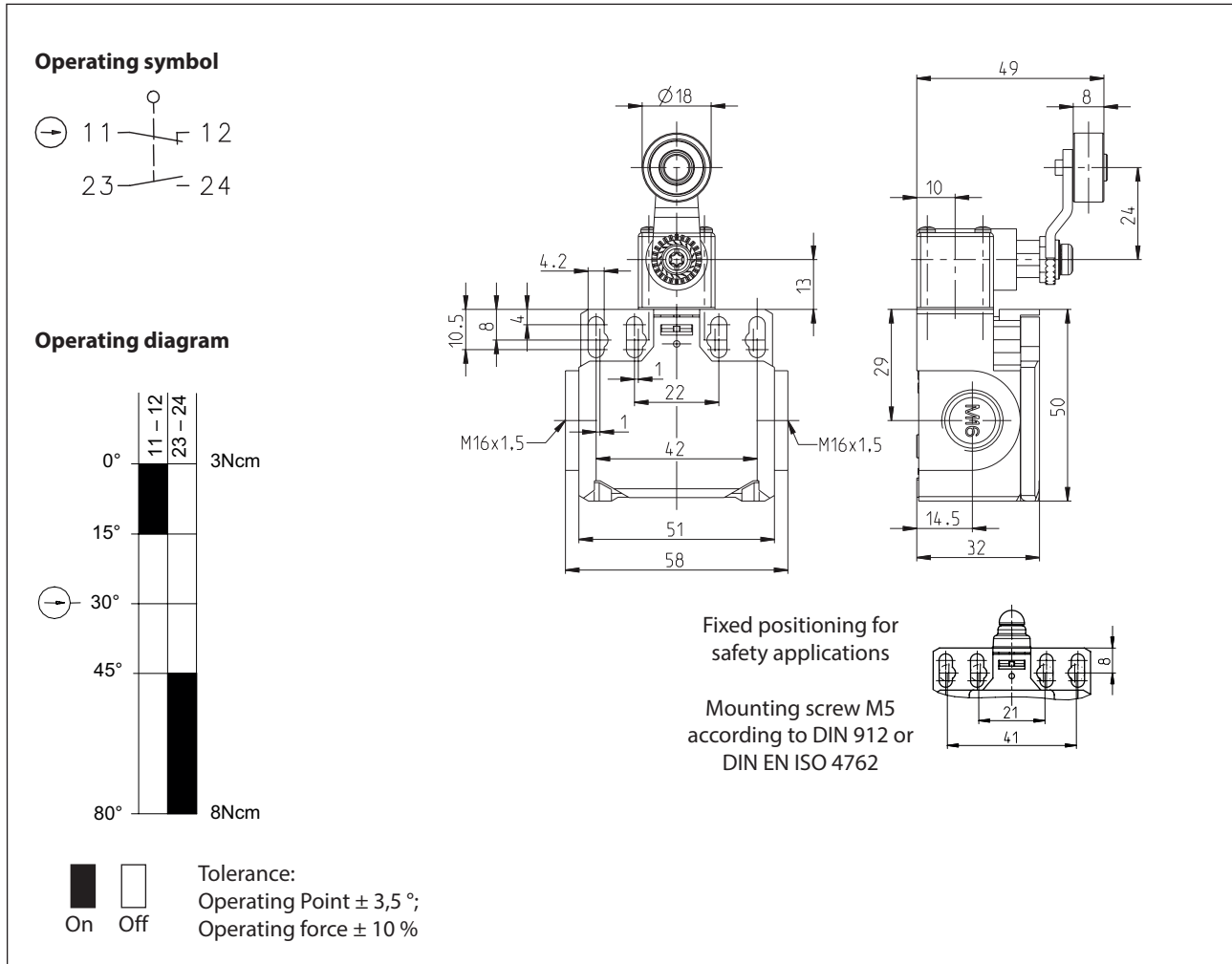


Plastic bodied limit switch Series BI2

Description **BI2-U1Z AH**

Article number **6085135104**



| Electrical Data | | |
|---------------------------------|-----------|---|
| Rated insulation voltage | U_i | 400 V AC |
| Conv. thermal current | I_{the} | 10 A |
| Rated operational voltage | U_e | 240 V AC |
| Utilization category | | AC-15 U_e / I_e 240 V / 3 A DC-13 U_e / I_e 24 V / 3 A |
| Direct opening action | | acc. to IEC/EN 60947-5-1, annex K |
| Short-circuit protective device | | Fuse 10 A gG |
| Protection class | | II, totally insulated |

| Mechanical data | |
|--------------------------|---|
| Enclosure | Thermoplastic, glass fibre reinforced |
| Cover | Thermoplastic, glass fibre reinforced |
| Actuator | Lever arm housing, roller (thermoplastic) |
| Ambient air temperature | -30° C ... +80° C |
| Contact type | 1 NC, 1 NO (Zb) |
| Mechanical life | 10 x 10 ⁶ operating cycles |
| Switching frequency | ≤ 100 / min. |
| Assembly | 2 x M4 / 2 x M5 / 2 x M3 front mounting |
| Connection | 4 screw connections (M3,5) |
| Conductor cross-sections | Solid: 0,5 ... 1,5 mm ² or Litz wire with ferrules: 0,5 ... 1,5 mm ² |
| Cable entrance | 2 x M16 x 1,5 |
| Weight | ≈ 0,12 kg |
| Installation position | operator definable |
| Protection type | IP65 acc. to IEC/EN 60529 |

| ID for safety engineering | |
|---------------------------|-----------------------------|
| B10d | 20 x 10 ⁶ cycles |

| Actuation |
|--|
| <p>The actuating device is preferably started from 2 sides. By loosening the 4 screws the actuation assembly can be rotated in 90 degree increments such that 8 actuation directions are possible. The actuation assembly is to be again fastened to the housing using the 4 screws.</p> |

| Standards |
|--------------------|
| DIN EN 60947-5-1 |
| DIN EN ISO 13849-1 |

| EU Conformity |
|--|
| acc. to directive 2014/35/EU (Low-Voltage-Directive) |

| Approvals |
|-------------------------------|
| cCSA _{US} A300, Q300 |
| CCC |

| Notes |
|--|
| <p>The degree of protection (IP code) specified applies solely to a property closed cover and the use of an equivalent cable gland with adequate cable.</p> <p>Utilisation category deviates from the standard</p> |