

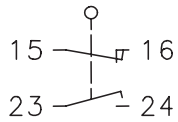
# Plastic bodied limit switch

## Series IN65

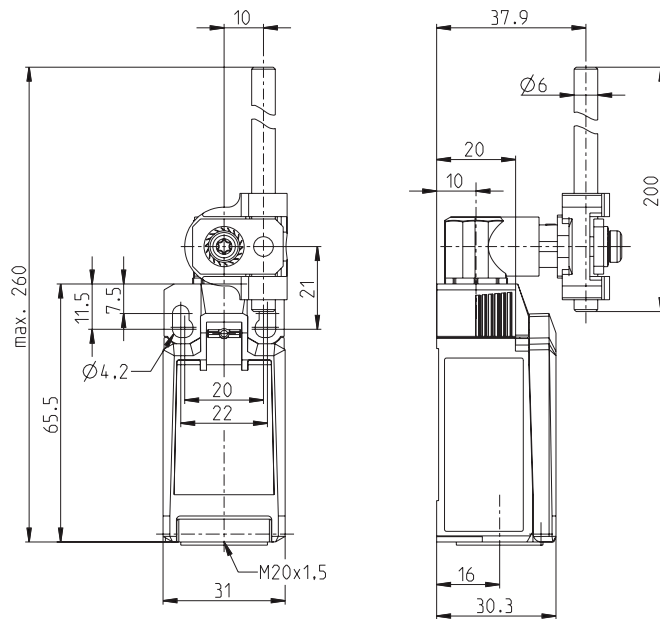
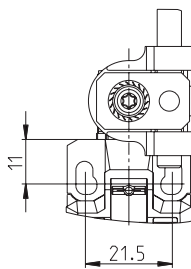
Description **IN65-UV1 AHDM**

Article number **6083000306**

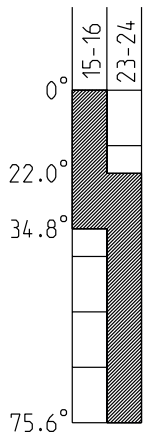
### Operating symbol



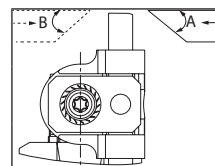
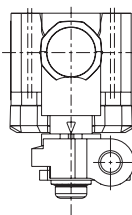
Fixed positioning with e.g. fixing screw M5 according to the standard DIN EN ISO 4762.



### Operating diagram



Tolerance:  
 Operating point  $\pm 3,5^\circ$ ;  
 Operating force  $\pm 10\%$



m/s	0,1	0,5	1	2	5
A	45°	45°	45°	40°	30°
B	45°	45°	45°	40°	30°

Electrical Data		
Rated insulation voltage	$U_i$	400 V AC
Rated impulse withstand voltage	$U_{imp}$	4 kV
Rated operational voltage	$U_e$	240 V
Rated supply frequency AC		50 / 60 Hz
Overvoltage category		II acc. EN 60947-1 annex H table H1
Conv. thermal current	$I_{the}$	5 A
Minimum current		1 mA
Utilization category		AC 15, $U_e/I_e$ 240 V / 3 A DC 13, $U_e/I_e$ 24 V / 1,5 A
Short-circuit protective device		Fuse 4 A gG
Rated conditional short-circuit current		400 A
Max. contact resistance		25 mOhm (unused)

Mechanical data		
Enclosure		Thermoplastic, glass fibre reinforced (UL 94-V0)
Cover		Thermoplastic, glass fibre reinforced (UL 94-V0)
Actuator		Metal wire Ø6 mm / lever in 15 ° increments adjustable
Actuating force	$F_B$	10 N ≤ $F_B$ ≤ 30 N
Operating temperature		-30 °C ... +75 °C
Storage temperature		-40 °C ... +80 °C
Protection type		IP66 / IP67 acc. EN 60529
Pollution degree (built-in switch)		3
Contact material		silver
Device Class (built-in switch)		Category E (MC3+CC2+SC1) acc. EN 60947-1 annex Q
Contact type		1 N.C., 1 N.O. (Form Zb)
Isolating distance		4 mm (2x2 mm)
Operating rate	$V$	0,06 m/min ≤ $V$ ≤ 30 m/min
Bounce duration	ms	The value depends on the operating rate.
Switchover time	ms	The value depends on the operating rate.
Switching frequency		≤ 60 / min.
Mechanical life		10 x 10 <sup>6</sup> operating cycles
Mission time		≤ 20 years
Connection		4 screw connections (M3)
Conductor cross-sections		Solid or Litz wire with ferrules 0,34 mm <sup>2</sup> - 1,5 mm <sup>2</sup> ; AWG 22-16
Cable entrance		1 x M20 x1,5
Weight		≈ 0,09 kg
Installation position		operator definable

Actuation
<p>The actuating device is preferably started from 2 sides.                      By lifting the clamp the actuation assembly can be rotated in 45° increments such that 16 actuation directions are possible.                      The actuation assembly is to be again fastened to the housing by lowering the clamp.</p>

Standards
DIN EN 60947-5-1
UL 508 / CSA C22.2 No.14

**EU Conformity**

acc. to directive 2014/35/EU (Low-Voltage-Directive)

**Approvals**

CCC (AC 15,  $U_e/I_e$  240 V / 1,5 A; DC 13,  $U_e/I_e$  24 V / 1,5 A)

cCSA<sub>US</sub> B300, 240Vac 1.5A G.P., 24Vdc 1.5A R. Enclosure Type 4X

**Notes**

The degree of protection (IP code) specified applies solely to a property closed cover and the use of an equivalent cable gland with adequate cable.