

# Technical Data

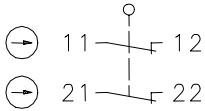
## Plastic bodied limit switch

### Series TI2 - ASI

Description **ASI TI2 HW**

Article number **6073403020**

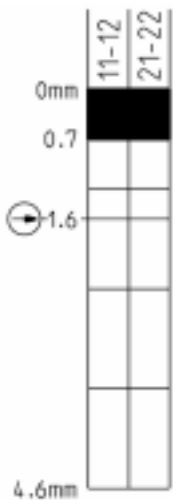
#### Operating symbol



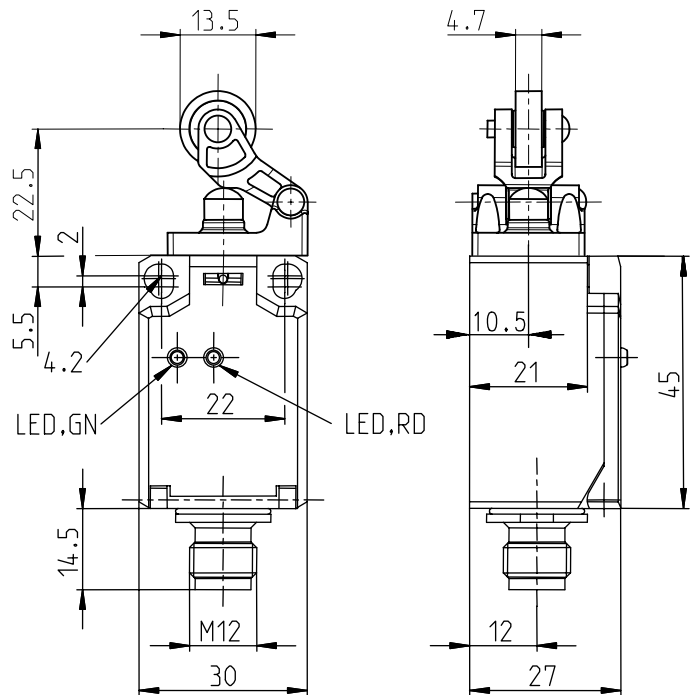
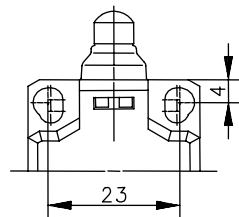
Fixed positioning for safety applications

Mounting screw according to DIN 912 M5

#### Operating diagram



Tolerance:  
 Operating point  $\pm 0,25$  mm;  
 On Off Operating force  $\pm 10$  %



#### Electrical data

Operating voltage	U	26,5 ... 31,6 V; via AS-interface, reverse-polarity proof
Operating current	I	< 30 mA
AS-i Specifications		Profile S-0.B
		IO-Code: 0x0 ID-Code: 0xB
		ID-Code1: 0xF ID-Code2: 0xF
AS-i Inputs		Contact 1: Date bits D0/D1 = static 00 or dynamic code transmission
		Contact 2: Date bits D2/D3 = static 00 or dynamic code transmission
Parameter bits		no function
AS-i Address		preset address: 0

This document will not become the contractual basis; the details included herein do not constitute any descriptions of expected conditions, so that warranties/claims for defects on account of possible variations of the actual qualities from the qualities described herein are explicitly excluded. All rights reserved. Specifications subject to change without notice!

Date of issue: 07.07.2011 / Page 1 of 2  
Document : 6073403020\_en / Last update : 1 / 2366-11

# Technical Data

## Plastic bodied limit switch



Mechanical data	
Enclosure	PBT, glass fibre reinforced
Cover	PA 6.6, black
Indication	LEDs for slave and bus state
Actuator	Lever with roller (thermoplastic)
Ambient air temperature	-25° C ... +70° C
Contact type	2 NC (slow-action, Zb)
Mechanical life	3 x 10 <sup>6</sup> switching cycles
Switching frequency	≤ 100/min
Assembly	2 x M4
Connection	Plug connector M12 male
Plug connection	1: AS-i +                    2: free 3: AS-i -                    4: free
Weight	≈ 0,05 kg
Installation position	operator definable
Protection type	IP65 acc. to EN 60529; DIN VDE 0470 T1

**Actuation**

The push bolt actuator is mainly intended to be actuated along its axis.  
Side actuation will considerably reduce switch life.

Standards	
	VDE 0660 T100, DIN EN 60947-1, IEC 60947-1
	VDE 0660 T200, DIN EN 60947-5-1, IEC 60947-5-1 EN 50295, EN ISO 13849-1

<b>EU Conformity</b>	acc. to EMC Directive
----------------------	-----------------------

Safety Classification	
	according 13849-1 to PL e
	MTTFd = high
	PFD = 2,49 * 10 <sup>-10</sup>

**Notes**

The degree of protection specified (IP code) applies only to a properly closed cover and the use of an equivalent connector.