

# Technical Data

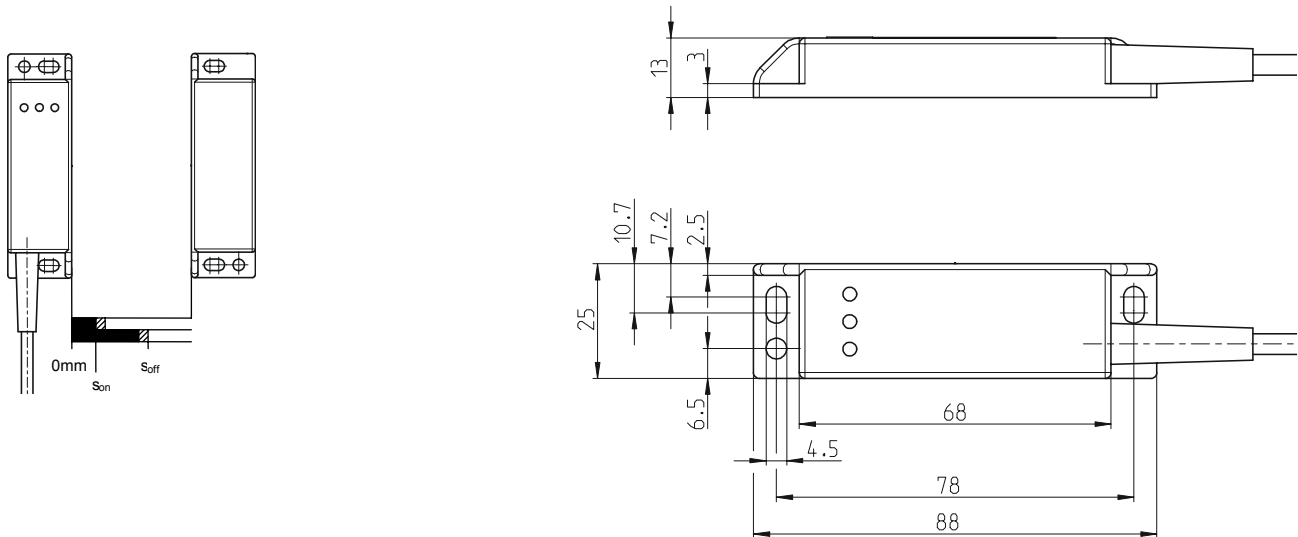
## Magnetic Switch

### Series MA-42-ASI

Type designation **ASI MAK 42**

Item number **6073200067**

Actuating direction / Operating distance



#### Technische Daten

|                        |           |   |
|------------------------|-----------|---|
| Operating distance     | $S_{on}$  | $\geq 5\text{mm}$   |
|                        | $S_{off}$ | $\leq 14\text{mm}$  |
| Reference magnet       |           | 6402042053 (TK – 42 – CD/2)   |
| Mechanical life        |           | $3 \times 10^8$ switchings  |
| Repeat accuracy        | R         | $\pm 0,1\text{ mm}$ under same geometrical conditions and at the same temperature |
| Frequency of actuation |           | 1Hz   |

#### Electrical data

|                     |   |   |
|---------------------|---|---|
| Operating voltage   | U | 18 ... 31,6 V; via AS-interface, reverse-polarity proof             |
| Operating current   | I | < 40 mA   |
| AS-i Specifications |   | Profile S-0.B   |
|                     |   | IO-Code: 0x0 ID-Code: 0xB   |
|                     |   | ID-Code1: 0xF ID-Code2: 0xE   |
| AS-i Inputs         |   | Contact 1: Date bits D0/D1 = static 00 or dynamic code transmission |
|                     |   | Contact 2: Date bits D2/D3 = static 00 or dynamic code transmission |
| Parameter bits      |   | no function   |
| AS-i Address        |   | preset address: 0   |

This document will not become the contractual basis; the details included herein do not constitute any descriptions of expected conditions, so that warranties/claims for defects on account of possible variations of the actual from the here described condition are excluded. Subject to modifications and amendments.

Date of issue: 14.07.2011 / Page 1 von 2  
Document : 6073200067\_en / Stand : 1 / 2366-11

# Technical Data

## Magnetic Switch



| Mechanical data         |   |
|-------------------------|---|
| Enclosure               | PBT, black; encapsulated reed contact   |
| Ambient air temperature | -5° C ... +70° C  |
| Protection class        | IP67 acc. to IEC 529, EN 60529  |
| Connection              | Cable 4 x 0,25 mm <sup>2</sup> x 2 m; PVC - Outer jacket, black; with M12-connector |
|                         | The length of the connecting cable is a part of the AS-i cable of max. 100 m.       |
| Plug connection         | 1: AS-i +                    2: free<br>3: AS-i -                    4: free        |
| Installation position   | operator definable  |
| Pollution degree        | 3 acc. to EN 60947-1  |
| Standards               |   |
|                         | VDE 0660 T100, DIN EN 60947-1, IEC 60947-1  |
|                         | VDE 0660 T200, DIN EN 60947-5-1, IEC 60947-5-1                                      |
|                         | EN 50295, EN ISO 13849-1  |
| EU Conformity           |   |
|                         | acc. to EMC Directive   |
| Safety Classification   |   |
|                         | according 13849-1 to PL e   |
|                         | MTTFd = high  |
|                         | PFD = 2,49 * 10 <sup>-10</sup>  |

**Notes**

These Gerber-systems provide with respect to the actuation a high manipulation protection and are not to operate with simple equipment such as depolarized magnets.

The Gerber- units are impact- and shock free to actuate.

This document will not become the contractual basis; the details included herein do not constitute any descriptions of expected conditions, so that warranties/claims for defects on account of possible variations of the actual from the here described condition are excluded. Subject to modifications and amendments.

Date of issue: 14.07.2011 / Page 2 von 2  
 Document : 6073200067\_en / Stand : 1 / 2366-11