

Technical Data

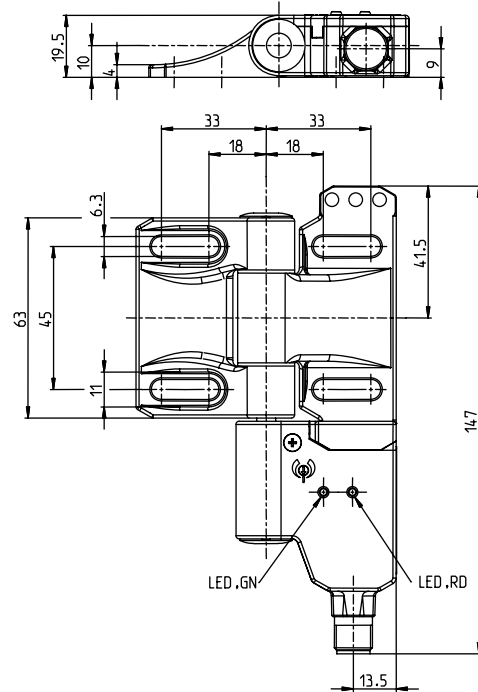
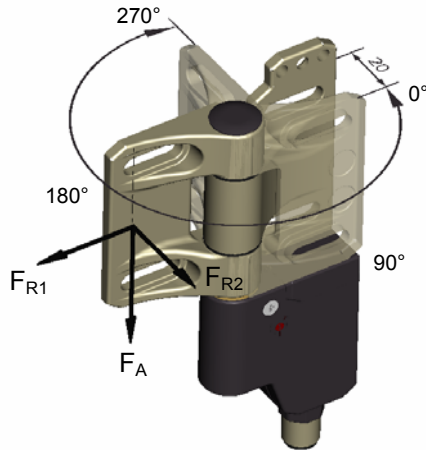
Safety switch

Series SHS3 - ASI

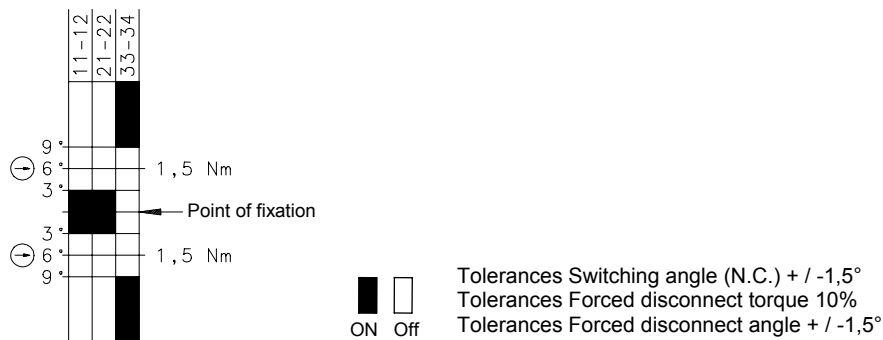
Description **ASI SHS3 SA R**

Article number **6073200011**

Swivel range: 0° ... 270°



Operating diagram



Point of fixation is in range of 0° ... 270° free selectable.

The data refer to a SHS3 with fixed switching point

Electrical Data

Operating voltage	U	26,5 ... 31,6 V; via AS-interface, reverse-polarity proof
Operating current	I	< 30mA
AS-i Specifications		Profile S-0.B
		IO-Code: 0x0 ID-Code: 0xB
		ID-Code1: 0xF ID-Code2: 0xE
AS-i Inputs		Contact 1: Date bits D0/D1 = static 00 or dynamic code transmission
		Contact 2: Date bits D2/D3 = static 00 or dynamic code transmission
Parameter bits		no function
AS-i Address		preset address: 0

This document will not become the contractual basis; the details included herein do not constitute any descriptions of expected conditions, so that warranties/claims for defects on account of possible variations of the actual qualities from the qualities described herein are explicitly excluded. All rights reserved. Specifications subject to change without notice!

Mechanical Data	
Switch	PBT
Hinge	G-X22CrNi17
Indication	LEDs for slave and bus state
Ambient temperature	-25°C to +70°C (cable fixed mounted)
Contact type	2 NC (slow-action, Zb)
Mechanical life	10 ⁶ operations
Switching frequency	Max. 300 operations/h
Mounting	4 x M6 screws DIN EN ISO 7984 on flat and stiff ground
Connection	Plug connector M12 male
Plug connection	1: AS-i + 2: free 3: AS-i - 4: free
Weight	≈ 0,65 kg
Mounting position	any
Protection class	IP 67 acc. IEC/EN 60529
Switching angle	+/- 3° from fixation point for the N.C. contacts and 9° for the N.O. contact
Forced disconnect angle	6°+2° from fixation point in both directions (for 0°-3° only in Plus-direction, for 267°-270° only in Minus-direction)
Forced disconnect torque	1,5 Nm
Mechanical load (Forces see the illustration page 1)	F _{R1} = max. 1200 N F _{R2} = max. 500 N F _A = max. 1200 N

Standards	
	VDE 0660 T100, DIN EN 60947-1, IEC 60947-1
	VDE 0660 T200, DIN EN 60947-5-1, IEC 60947-5-1
	EN 50295, EN ISO 13849-1

EU-Conformity	
	acc. to EMC Directive

Safety Classification	
	according 13849-1 to PL e
	MTTFd = high
	PFD = 2,49 * 10 ⁻¹⁰

Notes

The safety guard shall always be mounted using two SHS3 at least! See max. load. If the risk assessment of the machine permits a single-channel monitoring a blank hinge can be used as bearing element.

In case that the SHS3 is used at an ambient temperature of 70° an accelerated ageing of the connecting cable can occur.

The connecting cable shall be protected against mechanical damages.

The installation of the connecting cable can be done via pipes or cable ducts.

The manufacturer / supplier of the machine / equipment is obliged to take the applicable standards for the calculation of the safety distances of separating safety guards to hazardous areas into account.

Especially these standards apply: EN 294, EN 349, EN 953, EN 1088,

The switch shall not be used as a mechanical stop.

This document will not become the contractual basis; the details included herein do not constitute any descriptions of expected conditions, so that warranties/claims for defects on account of possible variations of the actual qualities from the qualities described herein are explicitly excluded. All rights reserved. Specifications subject to change without notice!

Date of issue: 17.03.2009 / Page 2 of 2
Document : 6073200011_en.doc / Last update: 1 / 2062-09