

Technical Data

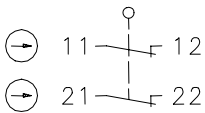
Safety switch

Series SKT - ASI – with separate actuator

Description **ASI SKT**

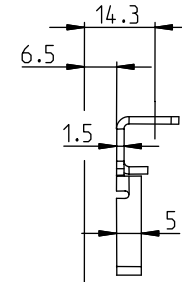
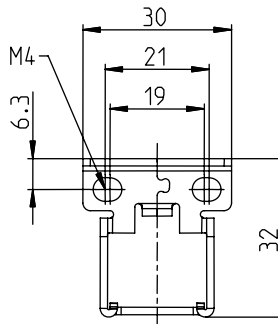
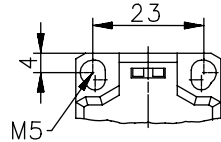
Article number **6073200006**

Operating symbol

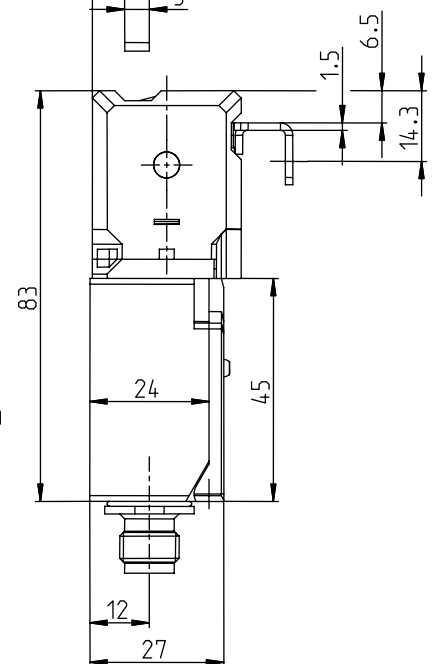
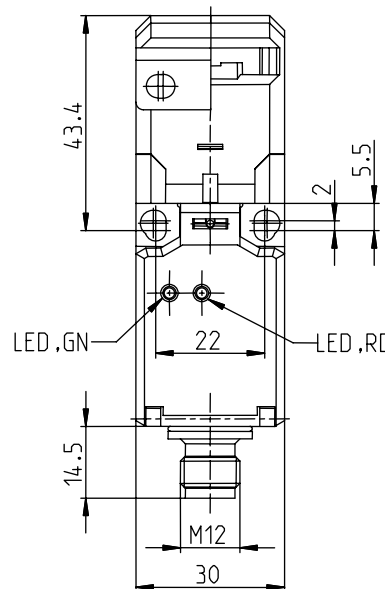
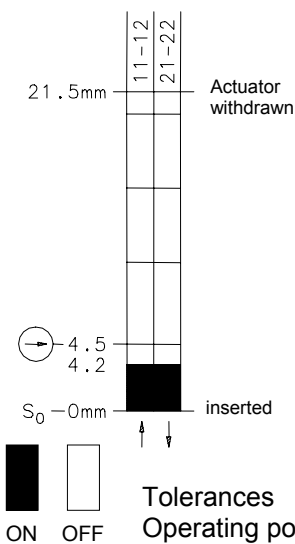


Fixierte Positionierung für Sicherheitsanwendungen

Befestigungsschraube nach DIN 912 M5



Operating diagram



Electrical data

Operating voltage	U	26,5 ... 31,6 V; via AS-interface, reverse-polarity proof
Operating current	I	< 30mA
AS-i Specifications		Profile S-0.B
		IO-Code: 0x0 ID-Code: 0xB
		ID-Code1: 0xF ID-Code2: 0xE
AS-i Inputs		Contact 1: Date bits D0/D1 = static 00 or dynamic code transmission
		Contact 2: Date bits D2/D3 = static 00 or dynamic code transmission
Parameter bits		no function
AS-i Address		preset address: 0

This document will not become the contractual basis; the details included herein do not constitute any descriptions of expected conditions, so that warranties/claims for defects on account of possible variations of the actual qualities from the qualities described herein are explicitly excluded. All rights reserved. Specifications subject to change without notice!

Date of issue: 07.09.2009 / Page 1 of 2
Document : 6073200006_en / Last update: 2 / 2433-09

Technical Data

Safety switch

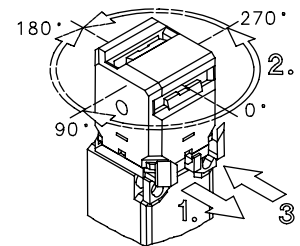
Mechanical data

Enclosure	Thermoplastic, glass fibre reinforced (UL94-V0)	
Cover	Thermoplastic, glass fibre reinforced (UL94-V0)	
Indication	LEDs for slave and bus state	
Actuator	Separate actuator (St-stainless steel)	
Ambient air temperature	-25° C ... +70° C	
Contact type	2 NC (slow-action, Zb)	
Mechanical life	1 x 10 ⁶ switch operations	
Mechanical life, extended actuation force	1 x 10 ⁵ switch operations	
Switching frequency	≤ 30 / min.	
Assembly	Safety switch	2 x M4 or M5
	Actuator	2 x M4 (enclosed)
Connection	Plug connector M12 male	
Plug connection	1: AS-i +	2: free
	3: AS-i -	4: free
Weight	≈ 0,08 kg	
Installation position	Operator definable	
Protection type	IP65 acc. to IEC/EN 60529	

Actuation

To achieve the 8 different actuator points please follow the next instructions

- (1) pull fixing clamp
- (2) turn actuator
- (3) push fixing clamp



Standards

VDE 0660 T100, DIN EN 60947-1, IEC 60947-1
 VDE 0660 T200, DIN EN 60947-5-1, IEC 60947-5-1
 EN 50295, EN ISO 13849-1

EU Conformity

acc. to EMC Directive

Safety Classification

according 13849-1 to PL e
 MTTFd = high
 PFD = 2,49 * 10⁻¹⁰

Notes

The degree of protection specified (IP code) applies only to a properly closed cover and the use of an equivalent connector.

The switch may not be used as a mechanical stop.

Tapped holes not in use must be closed with blind plugs.

This document will not become the contractual basis; the details included herein do not constitute any descriptions of expected conditions, so that warranties/claims for defects on account of possible variations of the actual qualities from the qualities described herein are explicitly excluded. All rights reserved. Specifications subject to change without notice!

Date of issue: 07.09.2009 / Page 2 of 2
 Document : 6073200006_en / Last update: 2 / 2433-09