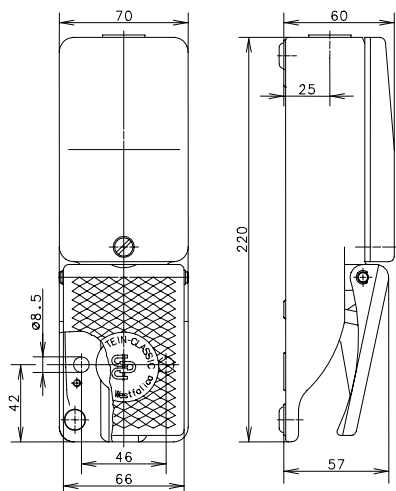
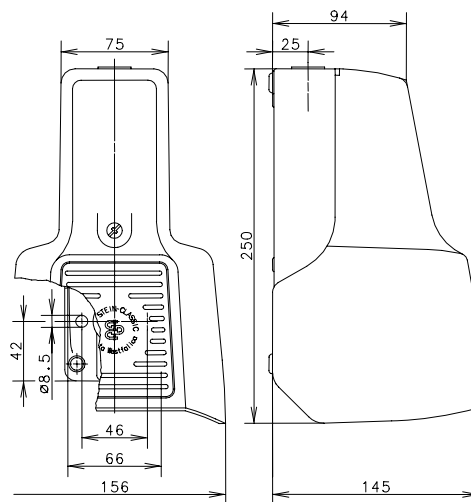


### Foot-switch (1 pedal) Protective guard UN

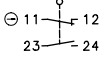
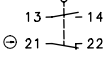
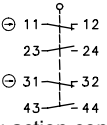
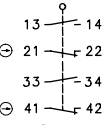


**F1**



**F1 (UN)**

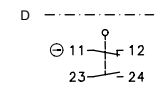
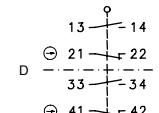
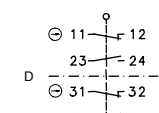
### Standard

Switching symbol	Contact type	F1 With cover	F1 With protective guard
<p><b>U1Z</b></p>  <p>Slow-action contact</p>	<p>1 N.C. 1 N.O. (Zb)</p>	<p>6061100005 <sup>1)</sup> F1-U1Z with BG (see page 3)</p>	<p>6061600006 <sup>1)</sup> F1-U1Z UN with BG (see page 3)</p>
<p><b>SU1Z</b></p>  <p>Snap-action contact</p>	<p>1 N.C. 1 N.O. (Zb)</p>	<p>6061300011 <sup>1)</sup> F1-SU1Z with BG (see page 3)</p>	<p>6061800012 <sup>1)</sup> F1-SU1Z UN with BG (see page 3)</p>
<p><b>U2Z</b></p>  <p>Slow-action contact</p>	<p>2 N.C. 2 N.O. (Zb)</p>	<p>6061200003 <sup>2)</sup> F1-U2Z with BG (see page 3)</p>	<p>6061700004 <sup>2)</sup> F1-U2Z UN with BG (see page 3)</p>
<p><b>SU2Z</b></p>  <p>Snap-action contact</p>	<p>2 N.C. 2 N.O. (Zb)</p>	<p>6061400061 <sup>2)</sup> F1-SU2Z with BG (see page 3)</p>	<p>6061900062 <sup>2)</sup> F1-SU2Z UN with BG (see page 3)</p>

- 1) Cable entry size 1 x M20x1,5  
2) Cable entry size 3 x M20x1,5

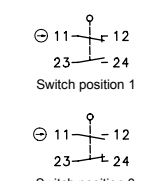
This document will not become the contractual basis; the details included herein do not constitute any descriptions of expected conditions, so that warranties/claims for defects on account of possible variations of the actual qualities from the qualities described herein are explicitly excluded. All rights reserved. Specifications subject to change without notice!

### Pressure point (D)

Switching symbol	Contact type	F1 With cover	F1 With protective guard
<p><b>U1ZD</b></p>  <p>Slow-action contact</p>	1 N.C. 1 N.O. (Zb)	6061100009 <sup>1)</sup> F1-U1ZD	6061600010 <sup>1)</sup> F1-U1ZD UN
<p><b>SU2ZD</b></p>  <p>Snap-action contact</p>	2 N.C. 2 N.O. (Zb)	---	6061900433 <sup>2)</sup> F1-SU2ZD UN
<p><b>U2ZD</b></p>  <p>Slow-action contact</p>	2 N.C. 2 N.O. (Zb)	6061200007 <sup>2)</sup> F1-U2ZD with BG (see page 3)	6061700008 <sup>2)</sup> F1-U2ZD UN with BG (see page 3)

- 1) Cable entry size 1 x M20x1,5  
2) Cable entry size 3 x M20x1,5

### Latch Contact (Y)

Switching symbol	Contact type	F1 With cover	F1 With protective guard
<p><b>U1ZY</b></p>  <p>Slow-action contact</p>	1 N.C. 1 N.O. (Zb)	6061100001 <sup>1)</sup> F1-U1ZY with BG (see page 3)	6061600002 <sup>1)</sup> F1-U1ZY UN with BG (see page 3)

Switch position 1: normally closed contact: closed, Make contact: open (self-holding contact)

Switch position 0: normally closed contact: open, Make contact: closed (self-holding contact)

- 1) Cable entry size 1 x M20x1,5  
2) Cable entry size 3 x M20x1,5

This document will not become the contractual basis; the details included herein do not constitute any descriptions of expected conditions, so that warranties/claims for defects on account of possible variations of the actual qualities from the qualities described herein are explicitly excluded. All rights reserved. Specifications subject to change without notice!

### General data

Electrical data		
Rated insulation voltage	$U_i$	400 VAC
Conv. thermal current	$I_{the}$	10 A
Rated operational voltage	$U_e$	240 V
Utilization category		AC-15, $U_e/I_e$ 240 V / 3 A
Direct opening action	⊖	acc. to IEC/EN 60947-5-1, Annex K (pedal stop)
Short-circuit protective device		Fuse 10 A gL/gG (slow-action contact) Fuse 2 A gL/gG (snap-action contact)
Protection class		I

Mechanical Data	
Enclosure	AL
Cover	AL
Protective guard (Accident protection cover UN)	AL
Actuator	Foot lever (PA)
Ambient air temperature	-30 °C ... +80 °C
Operating force (standard)	≈ 10 N (pedal centre)
Mechanical life	10 x 10 <sup>6</sup> switching cycles
Switching frequency	≤ 50/min
Assembly	2 x M8
Connection	Screw connections (M3,5)
Protection ground	2 x M4
Conductor cross-sections	Solid: 0,5 ... 1,5 mm <sup>2</sup> Litz wire with ferrules: 0,5 ... 1,5 mm <sup>2</sup>
Weight including cover	≈ 0,6 kg
Weight including protective guard	≈ 1,5 kg
Protection type	IP65 acc. to IEC/EN 60529

<b>Standards</b>	VDE 0660 T100, DIN EN 60947-1, IEC 60947-1 VDE 0660 T200, DIN EN 60947-5-1, IEC 60947-5-1
------------------	--

<b>EU Conformity</b>	<b>CE</b>
----------------------	-----------

Approvals	
	BG cCSA <sub>US</sub> A300, Q300 (same polarity)

**Notes**  
Tapped holes not in use must be closed with blind plugs. The degree of protection (IP code) specified applies only to a properly closed cover and in connection with the appropriate cable glands or blind plugs.