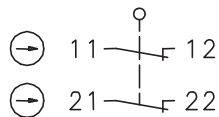


## Metal Switches Series GC

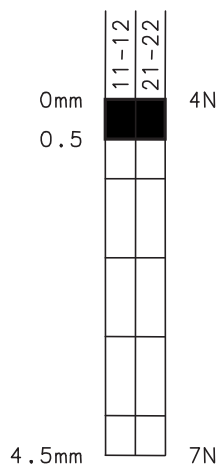
Description **GC-A2Z O.BETG**

Article number **6021800408**

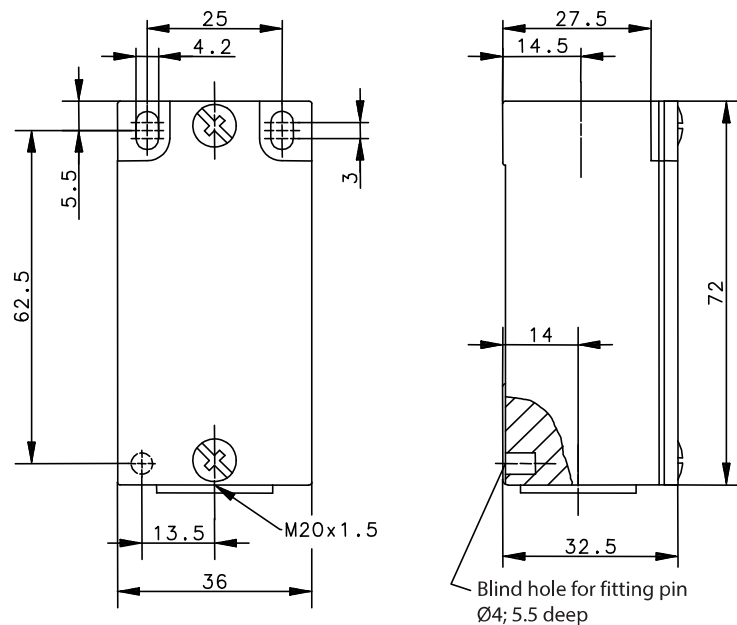
### Operating symbol



### Operating diagram



Tolerance:  
Operating Point  $\pm 0,25$  mm;  
Operating force  $\pm 10$  %



### Electrical Data

|                                 |           |                                   |
|---------------------------------|-----------|-----------------------------------|
| Rated insulation voltage        | $U_i$     | 400 V AC                          |
| Conv. thermal current           | $I_{the}$ | 6 A                               |
| Direct opening action           |           | acc. to IEC/EN 60947-5-1, annex K |
| Short-circuit protective device |           | Fuse 6 A gG                       |
| Protection class                |           | I                                 |

| Mechanical data          |   |
|--------------------------|---|
| Enclosure                | Die-cast aluminium  |
| Cover                    | Sheet aluminium   |
| Actuator                 | without   |
| Ambient air temperature  | -30° C ... +80° C   |
| Contact type             | 2 NC (B)  |
| Mechanical life          | 3 x 10 <sup>6</sup> operating cycles  |
| Switching frequency      | ≤ 100 / min.  |
| Assembly                 | 2 x M4  |
| Connection               | 4 screw connections (M3)  |
| Conductor cross-sections | Solid: 0,5 ... 1,5 mm <sup>2</sup> or<br>Litz wire with ferrules: 0,5 ... 1,5 mm <sup>2</sup> |
| Cable entrance           | 1 x M20 x 1,5   |
| Weight                   | ≈ 0,12 kg   |
| Installation position    | operator definable  |
| Protection type          | IP20 acc. to IEC/EN 60529   |

| Standards |  |
|-----------|--|
|           | VDE 0660 T100, DIN EN 60947-1, IEC 60947-1     |
|           | VDE 0660 T200, DIN EN 60947-5-1, IEC 60947-5-1 |

| EU Conformity |                              |
|---------------|------------------------------|
|               | acc. to directive 2014/35/EU |

| Notes  |  |
|--|--|
| The degree of protection (IP code) specified applies solely to a properly closed cover and the use of an equivalent cable gland with adequate cable. |  |