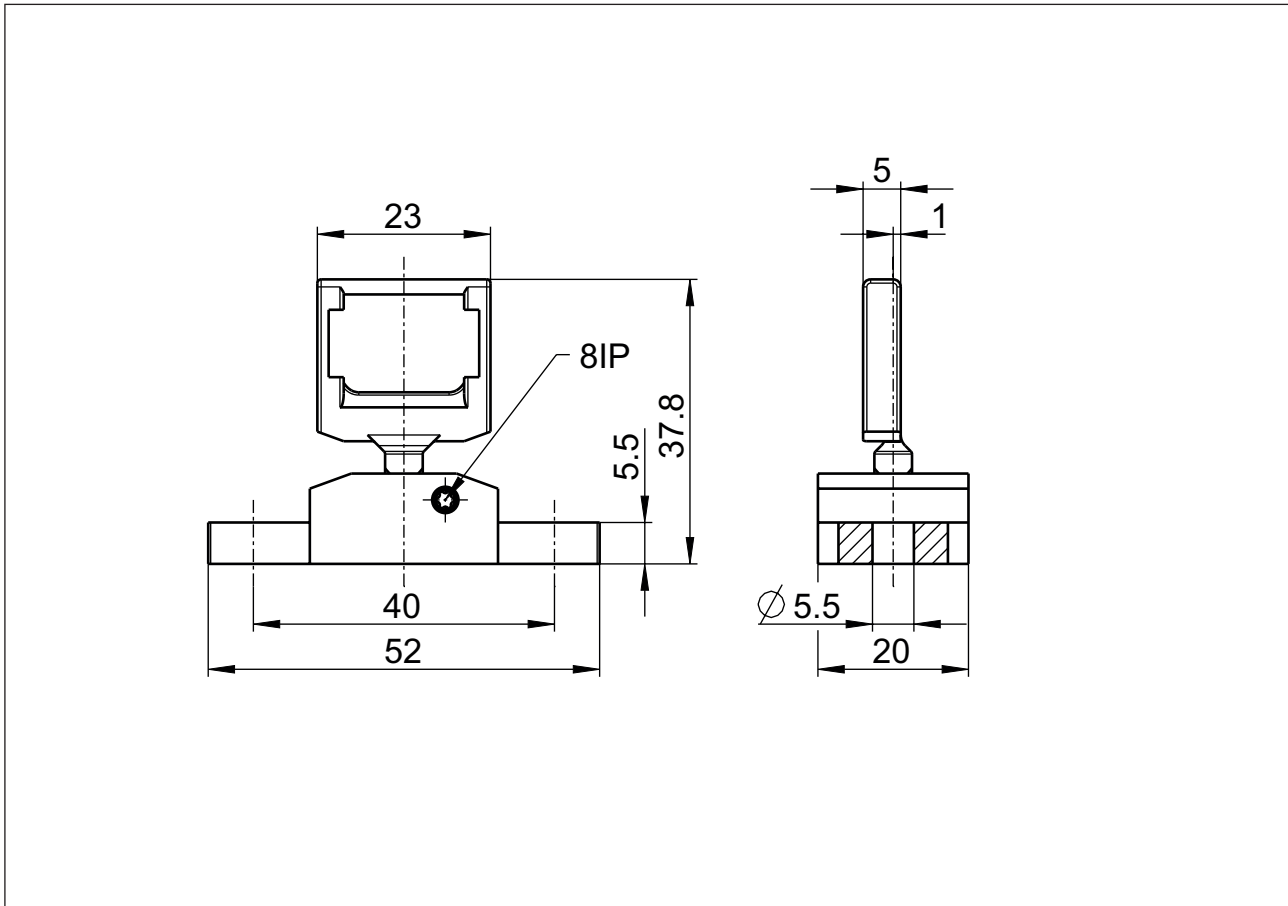


Actuator
Series SK

Description **BETÄTIGER M6**

Article number **6016999195**



Mechanical Data

Actuator / Enclosure / Cam	Stainless steel
Minimum actuating radius	R_{Amin}, R_{Bmin} in adjustment directions = 150 mm
Extraction forces	up to 30 N