

# Technical Data

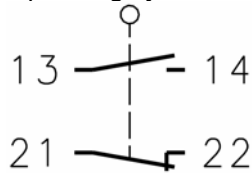
## Plastic Switch

### Series C74

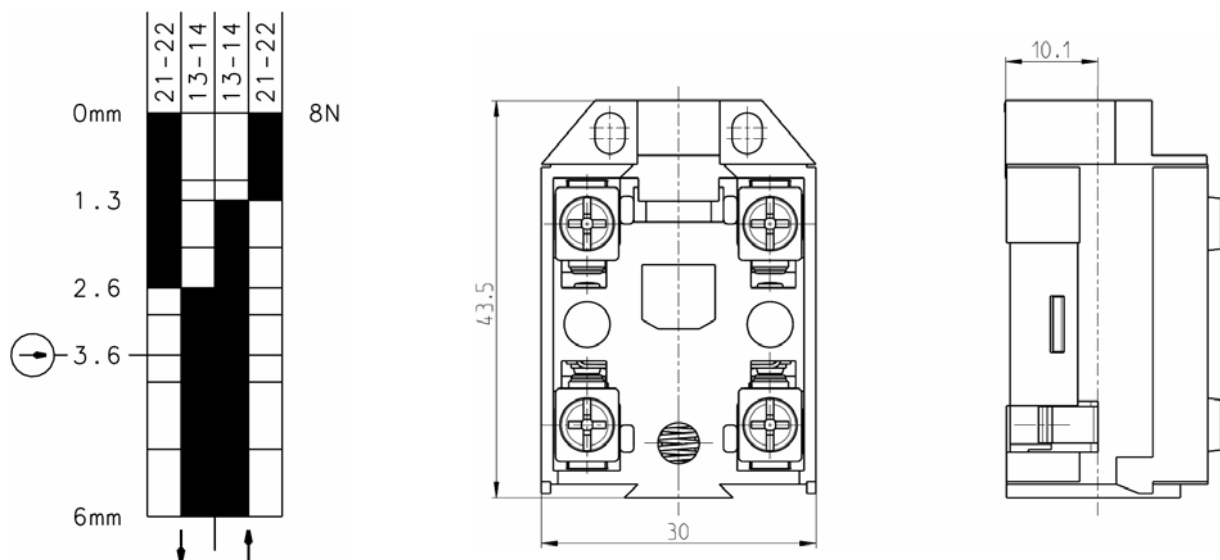
Description **C74-EB-SU1Z**


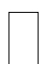
Article number **6006351039**

Operating symbol



Operating diagram



  Tolerance:  
 On Off Operating point  $\pm 0,25\text{mm}$ ;  
 Actuating force:  $\pm 10\%$

### Electrical data

Rated insulation voltage	$U_i$	400V AC
Conv. thermal current	$I_{the}$	10A
Rated operational voltage	$U_e$	240V AC
Utilization category		AC-15, $U_e/I_e$ 240V/3A
Direct opening action	$\ominus$	acc. IEC/EN 60947-5-1, annex K
Short-circuit protective device		Fuse 2A gG

This document will not become the contractual basis; the details included herein do not constitute any descriptions of expected conditions, so that warranties/claims for defects on account of possible variations of the actual qualities from the qualities described herein are explicitly excluded. All rights reserved. Specifications subject to change without notice!

Date of issue: 30.03.2011 / Page 1 of 2  
 Document : 6006351039\_en / Last update : 1 / 2231-11

# Technical Data

## Plastic Switch

Mechanical data	
Enclosure	Thermoplastic, glass fibre reinforced
Actuator	Plunger inside located, Ø8
Ambient air temperature	-30°C ... +80°C
Contact type	1 NC, 1 NO (Zb)
Mechanical life	10 x 10 <sup>6</sup> switching cycles
Switching frequency	≤ 100/min
Connection	4 screw connections (M3,5)
Conductor cross-sections	Solid: 0.5 ... 1.5mm <sup>2</sup> Litz wire with ferrules: 0.5 ... 1.5mm <sup>2</sup>
Weight	≈ 0,03kg
Installation position	Operator definable
Protection type	IP00 acc. to EN 60529; DIN VDE 0470 T1

**Actuation**  
Actuating the device is possible only in direction of the plunger.

**Standards**  
VDE 0660 T100, DIN EN 60947-1, IEC 60947-1  
VDE 0660 T200, DIN EN 60947-5-1, IEC 60947-5-1

**EU Conformity**  
acc. to directive 2006/95/EC

**Notes**  
Because of the open construction of the device there is no special protection against ingessing of water and touching parts under voltage.

This document will not become the contractual basis; the details included herein do not constitute any descriptions of expected conditions, so that warranties/claims for defects on account of possible variations of the actual qualities from the qualities described herein are explicitly excluded. All rights reserved. Specifications subject to change without notice!

Date of issue: 30.03.2011 / Page 2 of 2  
Document : 6006351039\_en / Last update : 1 / 2231-11