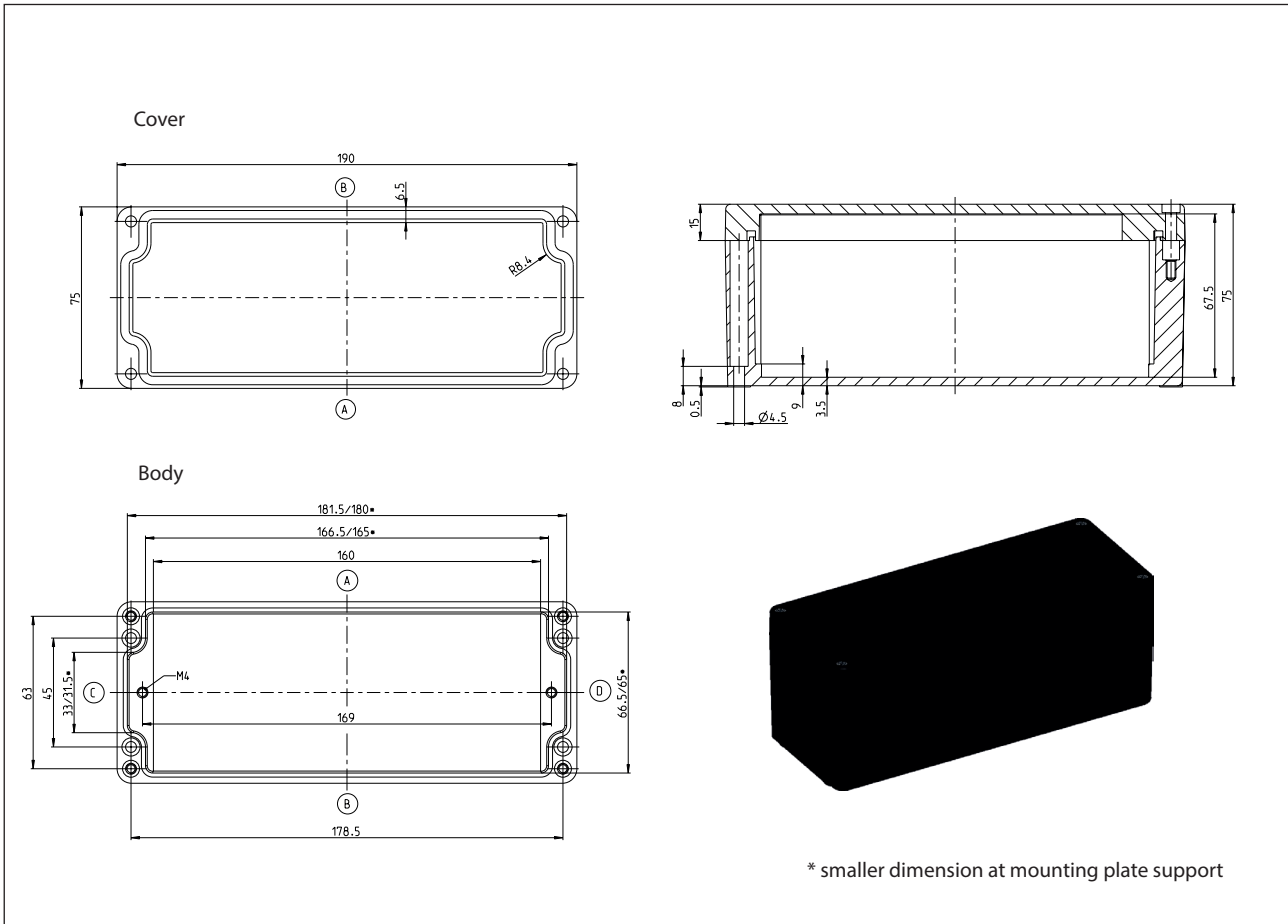


Standard enclosure
Series CPS

| | |
|----------------------------|---------------------------------|
| Designation CPS-195 | Article number 519000050 |
|----------------------------|---------------------------------|



| |
|---|
| Standard version |
| Scope of supply: |
| Base of enclosure |
| Enclosure cover |
| Cover screws (cross recessed head) enclosed loosely |
| Colour RAL 9005 (jet black) |
| Cover gasket PUR (polyurethane) |
| Individually packaged in foil |

| | | | | | | | | |
|---|-----|-----|-----|-----|-----|-----|-----|-----|
| Maximum possible number of thread (figures for identical diameter, not mixed!) | | | | | | | | |
| ISO M | M12 | M16 | M20 | M25 | M32 | M40 | M50 | M63 |
| Page A/B | 24 | 12 | 8 | 4 | 3 | 0 | 0 | 0 |
| Page C/D | 4 | 1 | 1 | 1 | 1 | 0 | 0 | 0 |

BERNSTEIN AG . Hans-Bernstein-Straße 1 . 32457 Porta Westfalica . www.bernstein.eu

Technical modifications and errors excepted.

This datasheet corresponds to the to the technical state of 2017-11-08 and is not collected whenever there are any changes.

Property chart CPS-195

| Specification | Value | According to the standard | Remark |
|---|-----------------------|---------------------------|--|
| General data: | | | |
| Weight | 530 g | | |
| External dimensions | 190 x 75 x 75 | | |
| Protection classes | | | |
| IP-code | IP 66 | EN 60529 | |
| IP-code | IP67 | EN 60529 | |
| IK- code | IK08 | IEC 62262 | |
| Material | | | |
| Enclosure | Polyester SMC 2600 | | jet black |
| Screws | A2-70 | DIN EN ISO 3506-1 | Cover screws |
| Spring washer | 1.4310 | DIN EN 10088-3 | |
| Insert nuts | 1.4305 CuZn39Pb3-M | DIN EN 10088-3 | |
| Gasket | PUR (Polyurethan) | | Colour: dark grey, 2-component polyurethane foam seal |
| Toxic behaviour | halogen-free | | |
| Thermal properties: | | | |
| Fire behaviour | | | |
| Flammability | V-0 | UL 94 | Contentwise alike with EC60695-11-10 and IEC60695-11-20 |
| Glow wire test | 960 °C ; 3,2mm | IEC 60695-2-12 | |
| Glow wire test | | | |
| Glow wire test | | | |
| Temperature range | | | |
| Enclosure without a seal | -60 °C bis +165 °C | | |
| PUR-seal | -40 °C bis +100 °C | | |
| Temperature index Enclosure material | | | |
| RTI (tensile strength) | 130 °C | UL 746 B | |
| RTI (impact strength) | 130 °C | UL 746 B | |
| RTI (dielectric strength) | 105 °C | UL 746 B | |
| Ambient temperature according to DIN EN 62208 | | | |
| Indoor application | -5 °C bis +40 °C | DIN EN 62208 | On the average over 24h +35°C |
| Relative humidity according to DIN EN 62208 | | | |
| Indoor application | max. 50% bei -40 °C | DIN EN 62208 | with low temperatures also higher (for ex. 90% at +20°C) |
| Storage temperature | -20 °C bis +60 °C | | |
| Enclosure-specific thermal conductivity value | 3,74 K/W | | taking account of effective dissipation loss |

Property chart CPS-195

| Specification | Value | According to the standard | Remark |
|------------------------------------|----------------------|---------------------------|---|
| Mechanical properties: | | | |
| Torques | | | |
| Cover screws | 1,0 Nm | | |
| Attachment of accessories | 1,0 Nm | | for ex. mounting plates, mounting rails |
| Other mounting | 1,0 Nm | | Screw channel, External mounting brackets |
| Maximum installation weight | 0,8 kg | | |
| Electrical characteristics: | | | |
| Rated voltage | max. 500 V | | Maximum length of the extension arm |
| Surface resistivity | <10 ⁹ Ohm | IEC 60093 | |
| dielectric strength | > 2 kv/cm | | |
| More details: | | | |
| General tolerance | mH | ISO 2768 | |
| Product standard | Yes | DIN EN 62208 | Empty enclosures for low-voltage switchgear assemblies |
| Approvals | | | |
| c UL us | Yes | UL508A / C22,2 | Type 1, 4, 4x |
| Compliances | | | |
| RoHs | Yes | Directive 2011/65/EU | |
| CE label | Yes | EC-No 765/2008 | |
| Low-Voltage-Directive No.: | 2014/35/EU | | |

Other versions / Accessories

The following information is not a standard. Approvals, compliances and protection classes of these versions upon request.

| Other versions CPS-195 | |
|--|----------------|
| Description of the modification compared with the standard version | Article number |
| RAL 9005 (jet black), with PUR seal and Socket head cap screws | upon request |
| RAL 9005 (jet black), with PUR seal and Socket head cap screws | 5190010050 |

| accessoires possibles/ as individual parts or as assembly set | |
|--|----------------|
| Description of the modification compared with the standard version | Article number |
| Mounting plate | 9823003000 |
| Mounting rail TS 15 | 9820015000 |
| Mounting rail TS 32 | - |
| Mounting rail TS 35 | - |
| Earthing rail (secured on central bosses C/D) | - |
| External mounting brackets | 9824000000 |
| External articulated hinges for Enclosure CPS (mechanical machining of the enclosure required) | - |
| Internal articulated hinges with cover guide (mechanical machining of the enclosure required) | - |

| optional seals | | | |
|----------------------------|--------------------|---------------------------|--------------|
| Specification | Value | According to the standard | Remark |
| Thermal properties: | | | |
| CR gasket | -30 °C bis +80 °C | | IP66 |
| Silicone foam seal | -60 °C bis +130 °C | | IP66 / IP67 |
| Silicone complete seal | -60 °C bis +200 °C | | IP66 / IP67 |
| EPDM seal | -35 °C bis +100 °C | | IP66 |
| HF seal | -55 °C bis +125 °C | | upon request |