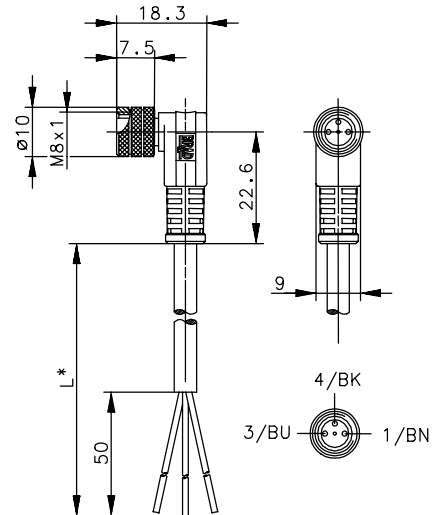
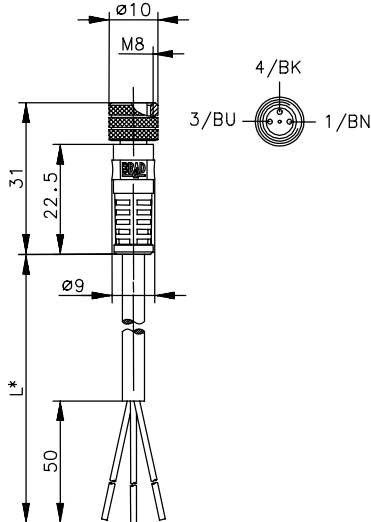


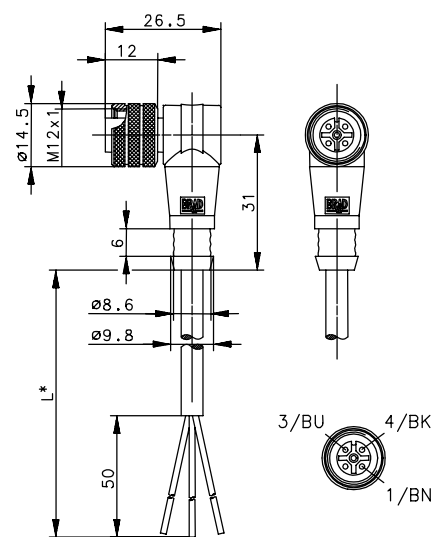
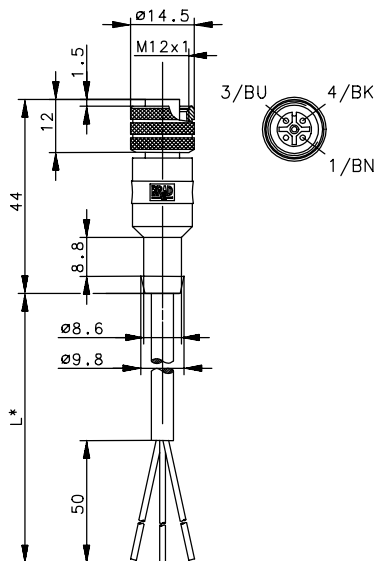
### M8x1 with lock nut

L* (m)	Description	Article number	L* (m)	Description	Article number
2	GDK-M08US/W00-2	4139100795	2	WDK-M08US/W00-2	4139100798
5	GDK-M08US/W00-5	4139100796	5	WDK-M08US/W00-5	4139100799
10	GDK-M08US/W00-10	4139100797	10	WDK-M08US/W00-10	4139100800



### M12x1 with lock nut

L* (m)	Description	Article number	L* (m)	Description	Article number
2	GDK-M12US/W00-2	4139100801	2	WDK-M12US/W00-2	4139100804
5	GDK-M12US/W00-5	4139100802	5	WDK-M12US/W00-5	4139100468
10	GDK-M12US/W00-10	4139100803	10	WDK-M12US/W00-10	4139100805



This document will not become the contractual basis; the details included herein do not constitute any descriptions of expected conditions, so that warranties/claims for defects on account of possible variations of the actual qualities from the qualities described herein are explicitly excluded. All rights reserved. Specifications subject to change without notice!

Electrical data		M8	M12
Nominal voltage		60V AC / 75V DC	250V AC / 300V DC
Rated current (Tamb = 40°C)	IEC 60512-3 Test 5b	4A (see Derating Curve)	4A (see Derating Curve)
Contact resistance	IEC 60512-2 Test 2a	< 5mΩ	< 5mΩ
Rated impulse withstand voltage	IEC 60 664-1	2 kV	2 kV
Test voltage	IEC 60512-2 Test 4a	1,0KV / 60s	1,5KV / 60s
Insulation resistance	IEC 60512-2 Test 3a	> 10 <sup>9</sup> Ω	> 10 <sup>9</sup> Ω

Mechanical Data		M8	M12
Number of contacts	IEC 947-5-2	3	3
Pollution degree	IEC 60 664-1	3	3
IP-degree of protection	IEC 60 529	IP68	IP68
		(with snap fitting)	(with snap fitting)
Pin diameter		1,0mm	1,0mm
Materials	contacts	CuSn	CuSn
	contacts plating	Au/Ni	Au
	dielectric material	PUR	PUR
	housing (overmold.)	PUR, black	PUR, black
	gasket	Viton	Viton
	lock nut	CuZn/Ni	CuZn/Ni
	Cable outer jacket	PVC, black (Ø4,5mm)	PVC, black (Ø5,0mm)
Lead		0,25mm <sup>2</sup>	0,34mm <sup>2</sup>
Termination		Crimp	Crimp
Flammability	UL 94		
	insert, moulded plug,	Self extinguishing	Self extinguishing
	Housing cable	(VDE 0472/804)	(VDE 0472/804)
Temperature range		-25°C ... +90°C	-25°C ... +90°C

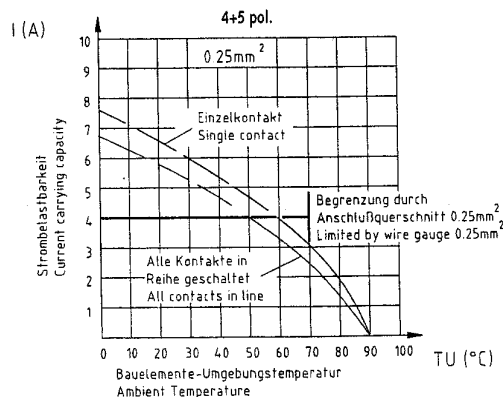
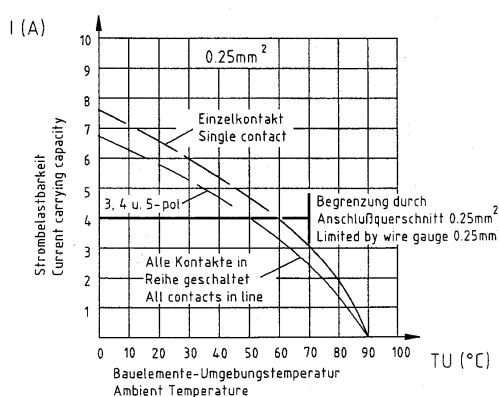
### Notes

Self securing coupling nut

### Derating-Curves

M8

M12



This document will not become the contractual basis; the details included herein do not constitute any descriptions of expected conditions, so that warranties/claims for defects on account of possible variations of the actual qualities from the qualities described herein are explicitly excluded. All rights reserved. Specifications subject to change without notice!

Date of issue : 23.02.2004 / Page 2 of 2  
Document : 7100049\_en / Last update : 1 / 0079-04