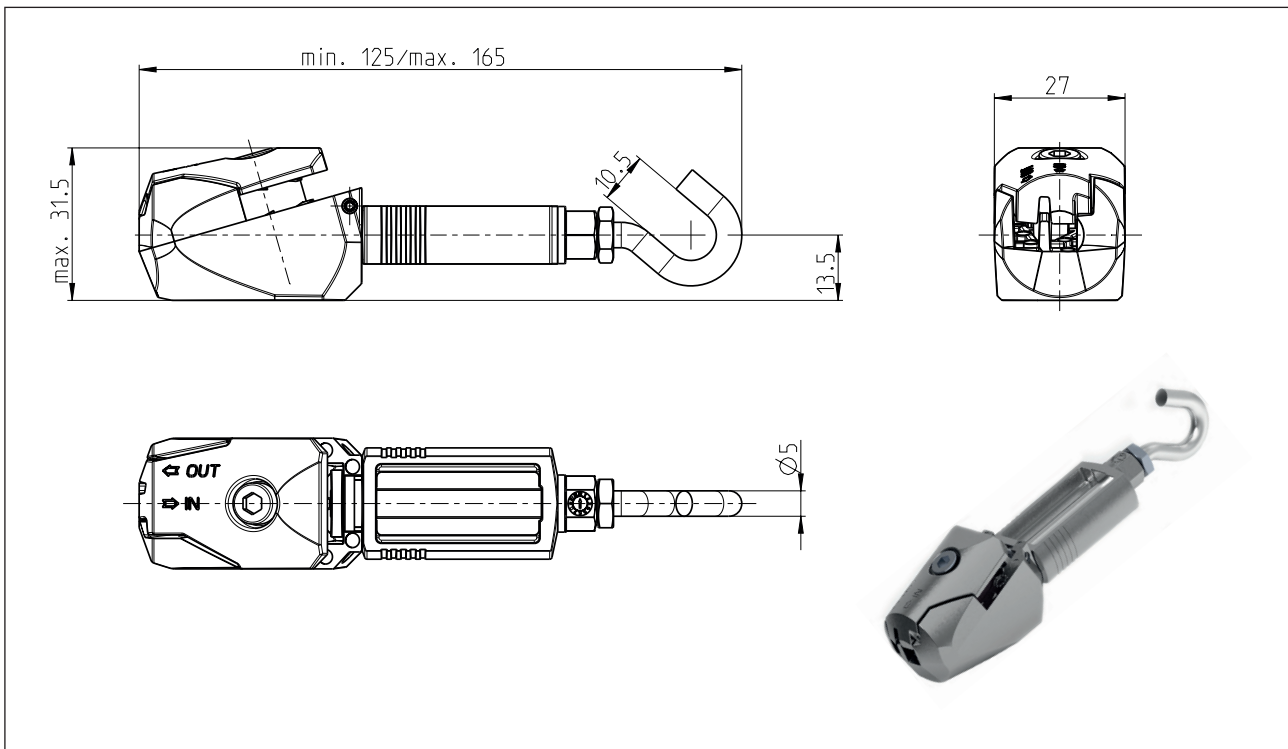


Rope pull switch

Accessory rope pull switch

Description **QF-40**

Article number **3911040001**



Mechanical data

Case	Zn-die cast
Tension bolt	Steel galvanised
Idler pulley	Plastic
Weight	0,2 kg
Rope diameter	D=2-5mm (Wire rope with plastic coating)